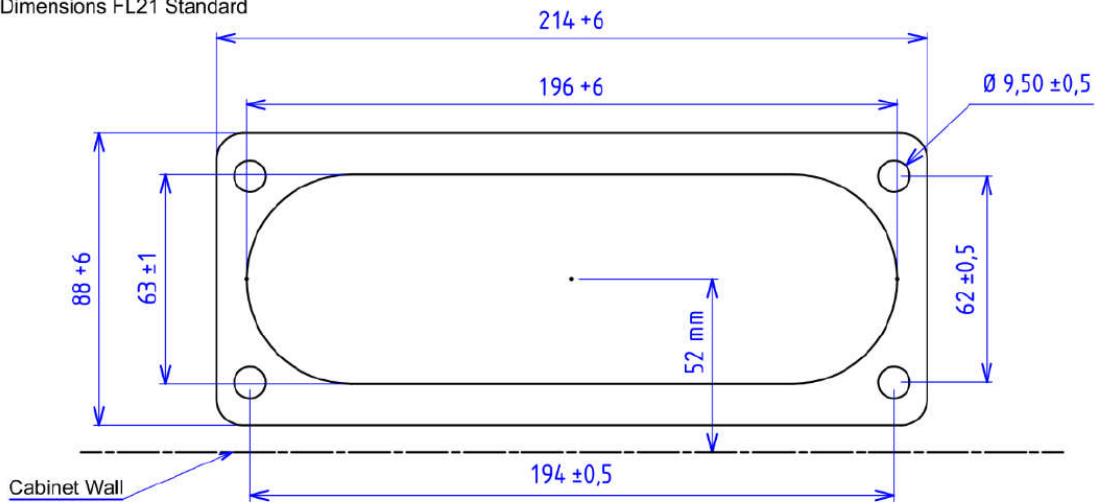


HTKC Series

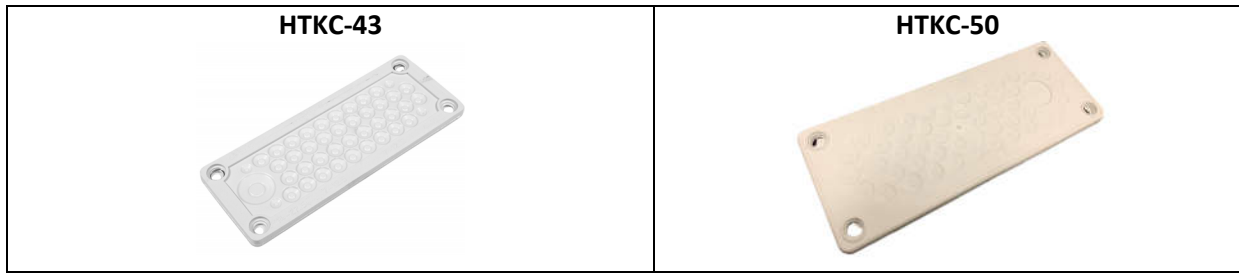


Dimensions FL21 Standard



Code	TPE-SEBS 50 ShA	HTKC-25-7035	HTKC-28-7035	HTKC-36-7035
	TPE-SEBS 50 Sha V-0	HTKC-25-V0-7035	HTKC-28-V0-7035	HTKC-36-V0-7035
Operating temperature		-40°C - +100°C	-40°C - +100°C	-40°C - +100°C
IP class		IP 65	IP 65	IP 65
Color		Grey RAL 7035	Grey RAL 7035	Grey RAL 7035
Number of cables		1 pc 20mm - 26mm IP65 or 12mm - 15mm IP55 16pc 8mm - 14mm IP65 or 7mm - 10mm IP55 4 pc 14mm - 20mm IP 65 or 5mm - 10mm IP55 4 pc 5 mm - 7 mm IP65	18 pc 6mm - 13mm 6 pc 13mm - 28mm 4 pc 3mm - 11mm	4 pc 4mm - 8mm 4 pc 6mm - 10mm 12 pc 7mm - 12mm 14 pc 10mm - 14mm 2 pc 12mm - 18mm 1 pc 17mm - 32mm
Weight (kg)		0.196	0.196	0.196
Mounting hole size		FL21	FL21	FL21

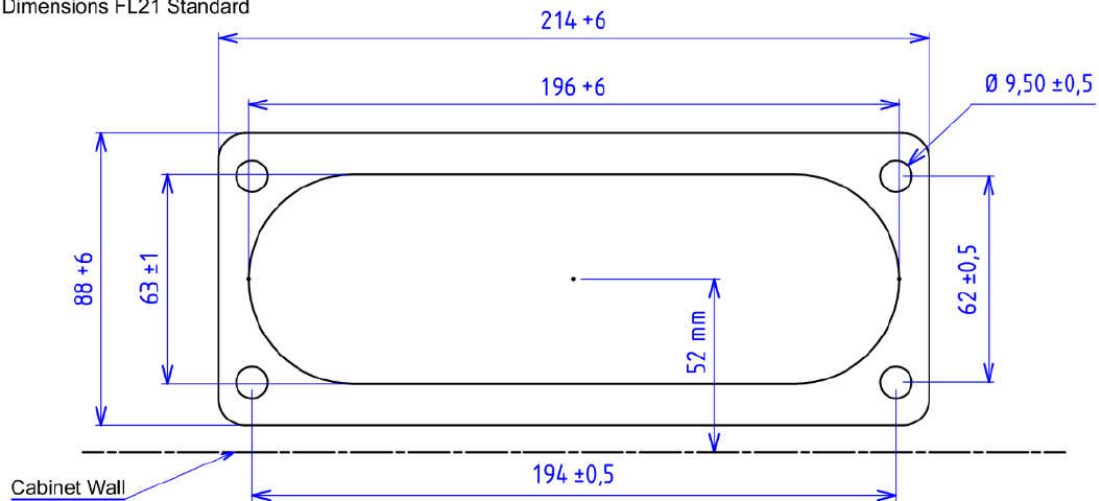
HTKC Serie



*Fixing pins are included

*All multigates are available in black and white colors

Dimensions FL21 Standard



Code	TPE-SEBS 50 Sha	HTKC-43-7035	HTKC-50-7035
	TPE-SEBS 50 Sha V-0	HTKC-43-V0-7035	HTKC-50-V0-7035
Operating temperature		-40°C - +100°C	-40°C - +100°C
IP class		IP 65	IP 65
Color		Grey RAL 7035	Grey RAL 7035
Number of cables		4 pc 4mm - 10.5mm 38pc 7mm - 12.5mm 1 pc 14mm - 27.5mm	49 pc 7mm - 12mm 1 pc 14mm - 25mm
Weight (kg)		0.193	0.193
Mounting hole size		FL21	FL21