



HT HI TECH POLYMERS OY

MULTIGROMMETS



HT Hi Tech Polymers Oy

Hallitie 1
32740 Sastamala
FINLAND

Phone: +358 (0)3 882 8600
e-mail: office@hitech-polymers.fi
www.hitech-polymers.fi



CATALOG 2024

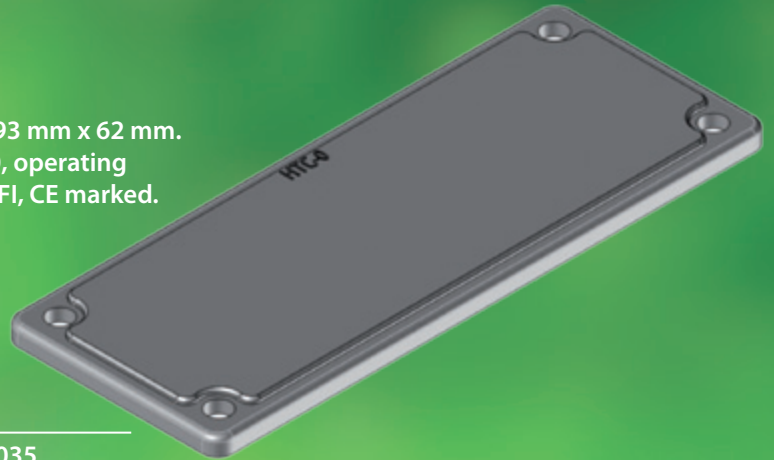
PAGE 3	HTC-0, HTC-0-PC, HTC-3	PAGE 24	HIK-FL13-1, HIK-FL13-2, HIK-L-3EK
PAGE 4	HTC-25, HTC-35, HTC-50	PAGE 25	MET-M
PAGE 5	HTC-16, HTPC-16, HTC-22-FI	PAGE 26	HSS-Grommets
PAGE 6	HLMC-14, HTC-17, HTKC-20	PAGE 27	HTT-Grommets
PAGE 7	HTKC-28, HTKC-36, HTKC-43	PAGE 28	HTL-Grommets HT-20, HTL-25, 5 sizes
PAGE 8	HTKC-50, HTX-23	PAGE 29	HTL-Grommets HTL 28-80, 11 sizes
PAGE 9	HTB-10, HEL-10-FL13, HEL-DP 24/17	PAGE 30	Small -grommets
PAGE 10	HTK-24, HTK-26, Fastening pins	PAGE 31	HAL-grommets
PAGE 11	JTLC-1, JTLC-1B, JTLC-1-U, JTLC-1B-U	PAGE 32	SWE-grommets
PAGE 12	KTL-0, EEI-1, EEI -2, EEI -3	PAGE 33	Normal grommets
PAGE 13	KTL-H 7 sizes	PAGE 34	Normal grommets
PAGE 14	HTP-14, HTP-15, HTP-18	PAGE 35	ETS-13
PAGE 15	HTP-22, HTP-31, KWH-U, KWH-A	PAGE 36	Flange sealings
PAGE 16	RIT-50, RIT-63, RIT-38	PAGE 37	PEH-grommets, PEH-3 grommets
PAGE 17	RIT-96, RIT-126, RIT-129	PAGE 38	Retrofitting seals, Telescopic well seals
PAGE 18	RIT-139, RIT-192, SCH-82	PAGE 39	Air conditioner fan seals, Vibration mats
PAGE 19	SCH-122, SCH-140, SCH-177	PAGE 40	Heat Shrink Tubings, Fish whacker
PAGE 20	KUPO-MINI , KUPO-M, UPO-KEM	PAGE 41	Mudflap/Rally flap
PAGE.21	KUPO-G, KUPO-L, HTX-1		
PAGE 22	HIK-1, HIK-2, HIK-3		
PAGE 23	HIK-4, HIK-4-Halk, HIK-7		

HTC-0

(soft material, metal reinforcement)

Suitable for FL21 hole, fixing holes 10 mm, hole interval 193 mm x 62 mm.
IP-class IP65, halogen free material TPE-SEBS, TPE-SEBS V0, operating temperature -40 +100 C, country of manufacture Finland, FI, CE marked.

Bushing points:
through holes can be made in the sealing surface
if necessary, the responsibility of hole maker.



CODE	GTIN-CODE	COLOUR
HTC-0	6410034630359	light grey RAL 7035
HTC-0 V0	6410034630366	natural white

HTC-0-PC

(material hard PC)

Suitable for FL21 hole, fixing holes 10mm, hole interval 193 mm x 62 mm.
IP-class IP65 with seal, without seal IP30, raw material PC V0 (polycarbonate), operating temperature -40 +100 C, country of manufacture Finland, FI, CE marked.

Bushing points:
through holes can be made in the sealing surface
if necessary, the responsibility of hole maker.



CODE	GTIN-CODE	COLOUR
HTC-0-PC V0		light grey RAL 7035

HTC-3

Suitable for FL21 hole, fixing holes 10 mm, hole interval 193 mm x 62 mm.
IP-class IP65, small holes IP55, halogen free material TPE-SEBS, TPE-SEBS V0, operating temperature -40 +100 C, country of manufacture Finland, FI, CE marked.

Bushing points:
2 x 24 mm - 54 mm
1 x 30 mm - 59 mm
3 x 6 mm - 14 mm



CODE	GTIN-CODE	COLOUR
HTC-3	6410034630014	light grey RAL 7035
HTC-3 V0	6410034630021	natural white



HTC-25

Suitable for FL21 hole, fixing holes 10 mm, hole interval 193 mm x 62 mm.
IP-class IP65, halogen free material TPE-SEBS, TPE-SEBS V0, operating temperature -40 +100 C, country of manufacture Finland, FI, CE marked.

Bushing points:

- 1 x 20 mm - 26 mm IP65 / 12-15 mm IP55
- 16 x 8 mm - 14 mm IP65 / 7 - 10 mm IP55
- 4 x 14 mm - 20 mm IP65 / 5 - 10 mm IP55
- 4 x 5 mm - 7 mm IP65



CODE	GTIN-CODE	COLOUR
HTC-25	6410034630052	light grey RAL 7035
HTC-25 V0	6410034630069	natural white

HTC-35

Suitable for FL21 hole, fixing holes 10 mm, hole interval 193 mm x 62 mm.
IP-class IP65, halogen free material TPE-SEBS, TPE-SEBS V0, operating temperature -40 +100 C, country of manufacture Finland, FI, CE marked.

Bushing points:

- 1 x 17 mm - 32 mm
- 2 x 12 mm - 18 mm
- 16 x 10 mm - 14 mm
- 12 x 7 mm - 12 mm
- 4 x 6 mm - 10 mm



CODE	GTIN-CODE	COLOUR
HTC-35	6410034630151	light grey RAL 7035
HTC-35 V0	6410034630168	natural white

HTC-50

Suitable for FL21 hole, fixing holes 10 mm, hole interval 193 mm x 62 mm.
IP-class IP65, halogen free material TPE-SEBS, TPE-SEBS V0, operating temperature -40 +100 C, country of manufacture Finland, FI, CE marked.

Bushing points:

- 49 x 7 mm - 13 mm
- 1 x 15 mm - 25 mm



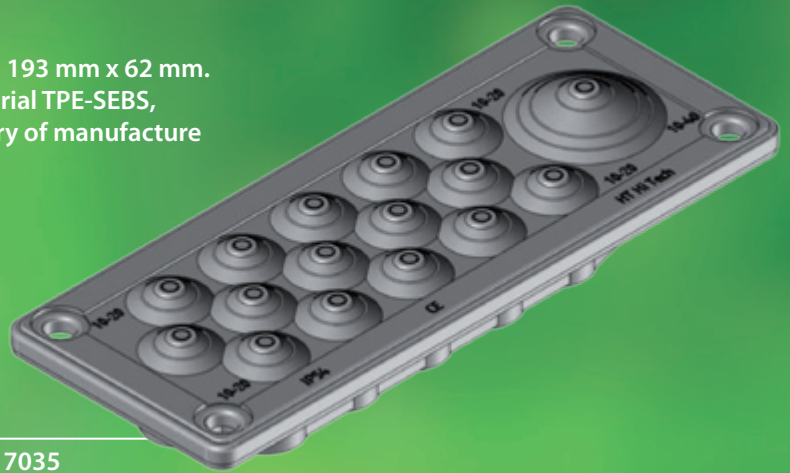
CODE	GTIN-CODE	COLOUR
HTC-50	6410034630106	light grey RAL 7035
HTC-50 V0	6410034630120	natural white

HTC-16

Suitable for FL21 hole, fixing holes 10mm, hole interval 193 mm x 62 mm. IP-class upside IP54, underside IP30, halogen free material TPE-SEBS, TPE-SEBS V0, operating temperature -40 +100 C, country of manufacture Finland, FI, CE marked.

Bushing points:

1 x 10 mm - 40 mm
15 x 10 mm - 20 mm



CODE	GTIN-CODE	COLOUR
HTC-16	6410034630137	light grey RAL 7035
HTC-16 V0	6410034630144	natural white

HTPC-16 (hard material, without metal sheet)

Suitable for FL21 hole, fixing holes 10 mm, hole interval 193 mm x 62 mm. IP-class IP30, halogen free material hard TPE-SEBS 90 Sha, operating temperature -40 + 80 C, country of manufacture Finland, FI, CE marked.

Bushing points:

1 x 10 mm - 40 mm
15 x 10 mm - 20 mm



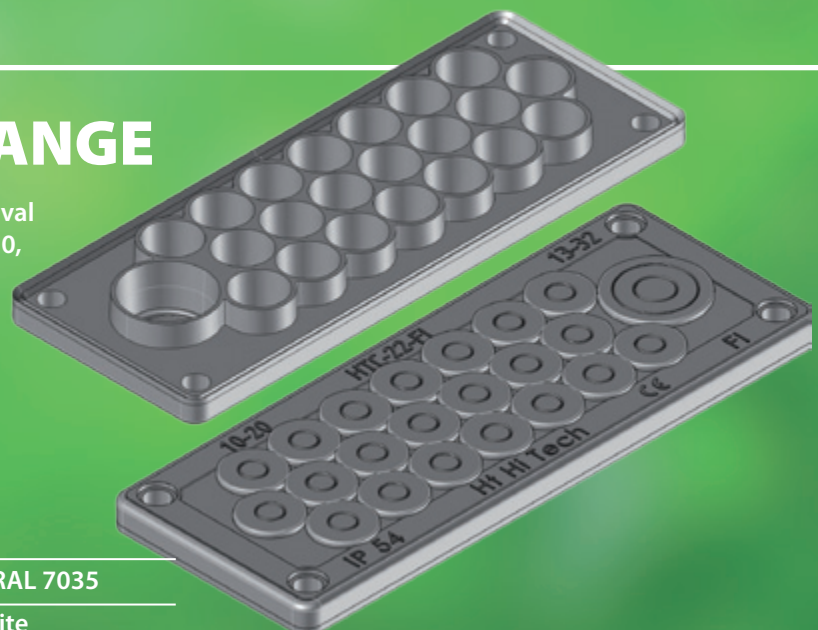
CODE	GTIN-CODE	COLOUR
HTPC-16		natural white

HTC-22-FI PIPING FLANGE

Suitable for FL21 hole, fixing holes 10 mm, hole interval 193 mm x 62 mm. IP-class upside IP54, underside IP30, halogen free material TPE-SEBS, TPE-SEBS V0, operating temperature -40 +100 C, country of manufacture Finland, FI, CE marked.

Bushing points:

1 x 10 mm - 32 mm
21 x 10 mm - 20 mm



CODE	GTIN-CODE	COLOUR
HTC-22-FI	6430056160689	light grey RAL 7035
HTC-22-FI V0	6430056160696	natural white



HLMC-14

Suitable for FL21 hole, fixing holes 10mm, hole interval 193 mm x 62 mm.
IP-class IP54, halogen free material TPE-SEBS, TPE-SEBS V0, operating temperature -40 +100 C, country of manufacture Finland FI, CE marked.

Bushing points:

- 2 x 24 mm - 54 mm
- 3 x 14 mm - 20 mm
- 4 x 14 mm - 18 mm
- 5 x 10 mm - 14 mm



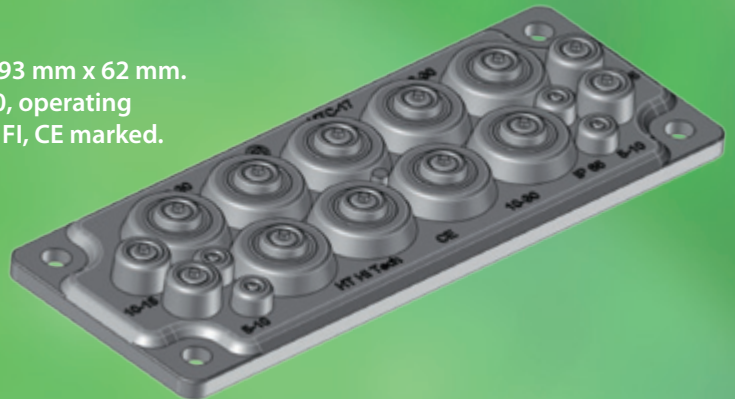
CODE	GTIN-CODE	COLOUR
HLMC-14	6430056160542	light grey RAL 7035
HLMC-14 V0	6430056160559	natural white

HTC-17

Suitable for FL21 hole, fixing holes 10 mm, hole interval 193 mm x 62 mm.
IP-class IP55, halogen free material TPE-SEBS, TPE-SEBS V0, operating temperature -40 +100 C, country of manufacture Finland, FI, CE marked.

Bushing points:

- 9 x 18 mm - 30 mm / 10 mm - 14 mm
- 4 x 10 mm - 15 mm
- 4 x 5 mm - 10 mm



CODE	GTIN-CODE	COLOUR
HTC-17	6410034630038	light grey RAL 7035
HTC-17 V0	6410034630045	natural white

HTKC-20

Suitable for FL21 hole, fixing holes 10 mm, hole interval 193 mm x 62 mm.
IP-class IP65, halogen free material TPE-SEBS, TPE-SEBS V0, operating temperature -40 +100 C, country of manufacture Finland, FI, CE marked.

Bushing points:

- 12 x 18 mm - 24 mm
- 8 x 5 mm - 7 mm



CODE	GTIN-CODE	COLOUR
HTKC-20	6430056160566	light grey RAL 7035
HTKC-20 V0	6430056160573	natural white



HTKC-28

Suitable for FL21 hole, fixing holes 10 mm, hole interval 193 mm x 62 mm.
IP-class IP65, halogen free material TPE-SEBS, TPE-SEBS V0, operating
temperature -40 +100 C, country of manufacture Finland, FI, CE marked.

Bushing points:

- 18 x 6 mm - 13 mm
- 6 x 13 mm - 28 mm
- 4 x 3 mm - 11 mm



CODE	GTIN-CODE	COLOUR
HTKC-28	6410034630373	light grey RAL 7035
HTKC-28 V0	6410034630380	natural white

HTKC-36

Suitable for FL21 hole, fixing holes 10 mm, hole interval 193 mm x 62 mm,
IP-class IP65, halogen free material TPE-SEBS, TPE-SEBS V0, operating
temperature -40 +100C, country of manufacture Finland, FI, CE marked.

Bushing points:

- 4 x 4 mm - 8 mm
- 4 x 6 mm - 10 mm
- 12 x 7 mm - 12 mm
- 14 x 10 mm - 14 mm
- 2 x 12 mm - 18 mm
- 1 x 17 mm - 32 mm



CODE	GTIN-CODE	COLOUR
HTKC-36	6410034630212	light grey RAL 7035
HTKC-36 V0	6410034630229	natural white

HTKC-43

Suitable for FL21 hole, fixing holes 10mm, hole interval 193 mm x 62 mm,
IP-class IP65, halogen free material TPE-SEBS, TPE-SEBS V0, operating
temperature -40 +100 C, country of manufacture Finland, FI, CE marked.

Bushing points:

- 4 x 4 mm - 10,5 mm
- 38 x 7 mm - 12,5 mm
- 1 x 14 mm - 27,5 mm



CODE	GTIN-CODE	COLOUR
HTKC-43	6410034630175	light grey RAL 7035
HTKC-43 V0	6410034630182	natural white



HTKC-50

Suitable for FL21 hole, fixing holes 10 mm, hole interval 193 mm x 62 mm, IP-class IP65, halogen free material TPE-SEBS, TPE-SEBS V0, operating temperature -40 +100 C, country of manufacture Finland, FI, CE marked.

Bushing points:

49 x 7 mm - 12 mm
1 x 14 mm - 25 mm



CODE	GTIN-CODE	COLOUR
HTKC-50	6430056160580	light grey RAL 7035
HTKC-50 V0	6430056160597	natural white

HTX-23

Suitable for hole interval 62 mm x 103 mm x 193 mm, fixing holes 10 mm, big FL21 hole, halogen free material TPE-SEBS, TPE-SEBS V0, IP-class IP55, operating temperature -40 +100 C, country of manufacture Finland, FI, CE marked.

Bushing points:

1 x 33 mm - 48 mm / 15 mm - 18 mm
2 x 25 mm - 40 mm / 10 mm - 16 mm
8 x 18 mm - 30 mm / 10 mm - 14 mm
4 x 10 mm - 13 mm, 4 x 3,5 mm - 5 mm
4 x 5 mm - 10 mm



CODE	GTIN-CODE	COLOUR
HTX-23	6410034630076	light grey RAL7035
HTX-23 V0	6410034630083	natural white



HTB-10

Suitable for FL13 hole, fixing holes 7,5 mm, hole interval 120 mm x 30 mm. IP-class IP65, halogen free material TPE-SEBS, TPE-SEBS V0, operating temperature -40 +100 C, country of manufacture Finland, FI, CE marked.

Bushing points:

2 x 12 mm - 21 mm

2 x 8 mm - 15 mm

6 x 5 mm - 8 mm



CODE	GTIN-CODE	COLOUR
HTB-10	6410034630007	light grey RAL 7035
HTB-10 V0	6410034630274	natural white

HEL-10-FL13

Suitable for FL13 hole, fixing holes 6 mm, hole interval 30 mm x 120 mm, IP-class IP54, halogen free material TPE-SEBS 70 ShA, operating temperature -40 +100 C, country of manufacture Finland, FI, CE marked.

Bushing points:

2 x 12 mm - 28 mm

6 x 6,5 mm - 15 mm

2 x 6,5 mm - 11 mm



CODE	GTIN-CODE	COLOUR
HEL-10-FL13		natural white
HEL-10-FL13 V0		natural white

HEL-DP 24/17

Suitable for hole interval 130 mm x 32 mm, fixing holes 6 mm, plate holes 111 mm x 34 mm, IP-class IP65, halogen free material TPE-SEBS 70 ShA, operating temperature -40 +100 C, country of manufacture Finland, FI, CE marked.

Bushing points:

12 x 8,5 mm - 12 mm

5 x 6,5 mm - 9 mm



CODE	GTIN-CODE	COLOUR
HEL-DP 24/17		natural white
HEL-DP 24/17 V0		natural white



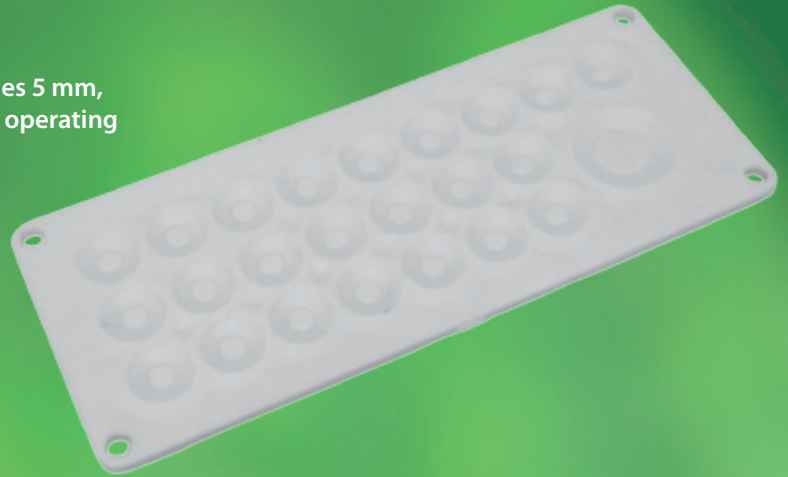
HTK-24

Suitable for hole interval 160 mm x 57 mm, fixing holes 5 mm, IP-class IP20, halogen free material TPE-SEBS 90 ShA, operating temperature -40 +100 C, country of manufacture Finland, FI, CE marked.

Bushing points:

23 x 5 mm - 12 mm

1 x 14 mm - 24 mm



CODE	GTIN-CODE	COLOUR
HTK-24		natural white

HTK-26

Suitable for hole interval 160 mm x 57 mm, fixing holes 5 mm, IP-class IP20, halogen free material TPE-SEBS 90 ShA, operating temperature -40 +100 C, country of manufacture Finland, FI, CE marked.

Bushing points:

26 x 5 mm - 12 mm

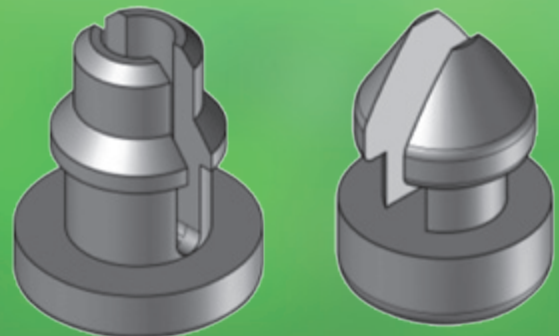


CODE	GTIN-CODE	COLOUR
HTK-26		natural white

FASTENING PINS *5 mm and 10 mm holes*

To JTLC grommets, halogen free material HDPE, operating temperature -40 +100 C, country of manufacture Finland. The products are packed in bags of 200 pcs.

CODE	PRODUCT NAME	COLOUR
KN-5PS	Fastening pin 5 mm	white
KN-10PS	Fastening pin 10 mm	white





JTLC-1 *fixing holes 10 mm*

JTLC-1B *fixing holes 5 mm*

Suitable for FL21 hole, hole interval 193 mm x 62 mm, operating temperature -20 +100 C, country of manufacture Finland, FI, CE marked.

Bushing points:
through holes can be made in the sealing if necessary, the responsibility of hole maker.



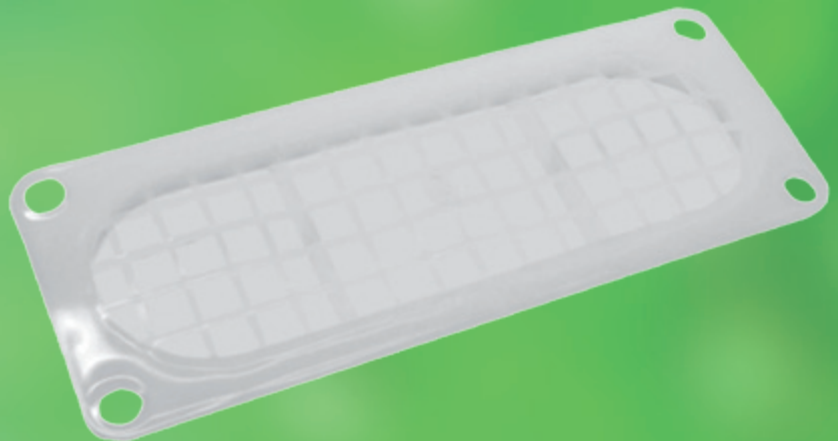
CODE	GTIN-CODE	COLOUR
JTLC-1	6410034630250	natural white
JTLC-1B		natural white

JTLC-1-U *fixing holes 10 mm*

JTLC-1B-U *fixing holes 5 mm*

Suitable for FL21 hole, hole interval 193 mm x 62 mm, operating temperature -20 +100 C, country of manufacture Finland, FI, CE marked.

Bushing points:
through holes can be made in the sealing if necessary, the responsibility of hole maker.

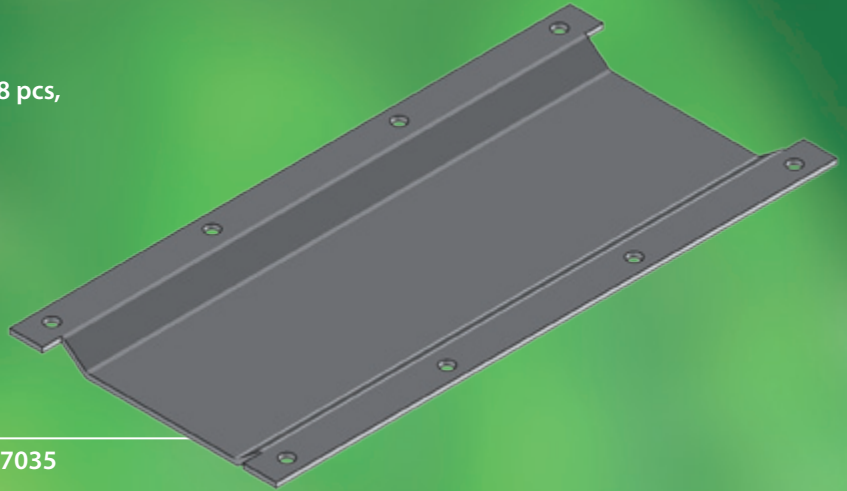


CODE	GTIN-CODE	COLOUR
JTLC-1-U		natural white
JTLC-1B-U		natural white



KTL-0 *End flange for busbar*

Material polycarbonate PC V0, fixing holes 6 mm 8 pcs,
interval holes 88 mm x 60 mm / 130 / 190 mm,
operating temperature -20 +100 C,
country of manufacture Finland, FI, CE marked.



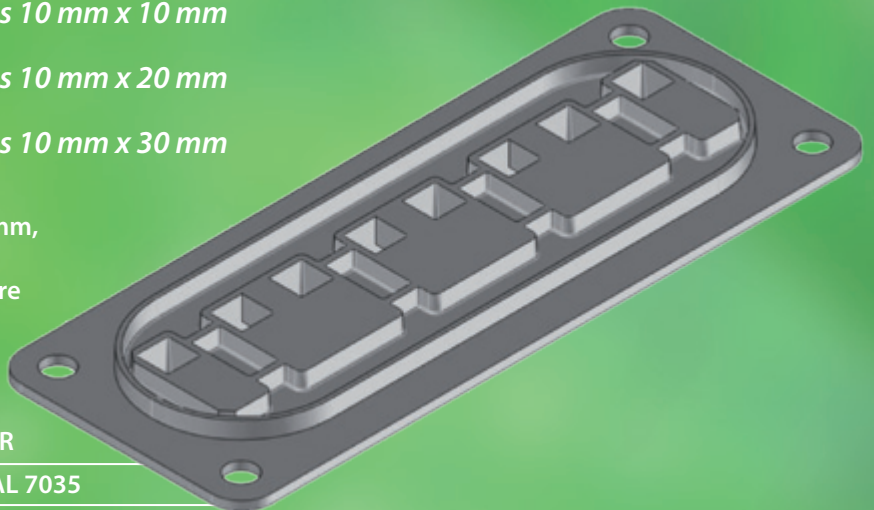
CODE	GTIN-CODE	COLOUR
KTL-0		grey RAL 7035

EEI-1 *rail support flange, hole sizes 10 mm x 10 mm*

EEI-2 *rail support flange, hole sizes 10 mm x 20 mm*

EEI-3 *rail support flange, hole sizes 10 mm x 30 mm*

Material polycarbonate PC V0, fixing holes 10 mm,
hole interval 62 mm x 192 mm, operating
temperature -20 +100 C, country of manufacture
Finland, FI, CE marked.

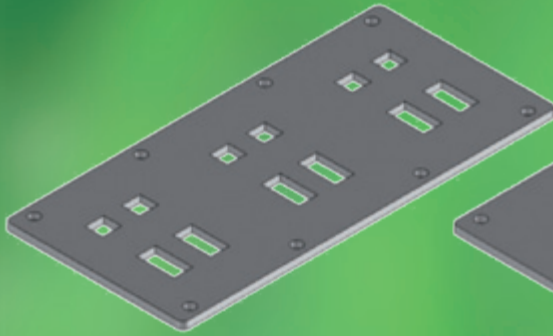


CODE	GTIN-CODE	COLOUR
EEI-1		grey RAL 7035
EEI-2		grey RAL 7035
EEI-3		grey RAL 7035



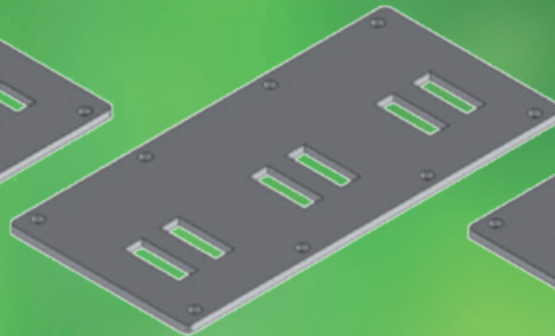
KTL-H

Material polycarbonate PC V0, fixing holes 6mm 8pcs, hole interval 87,5 mm x 189,5 mm, operating temperature -20 +100 C, country of manufacture Finland.



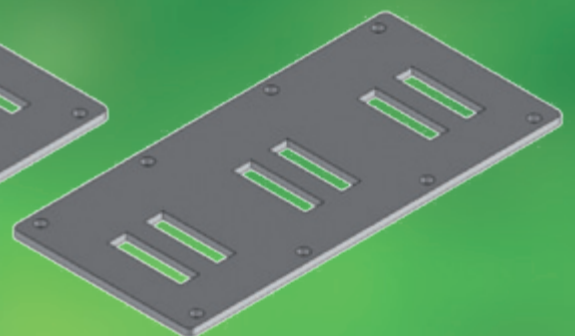
KTL-H-10-20

busbar flange,
hole size 10/10 or 10/20
12 holes



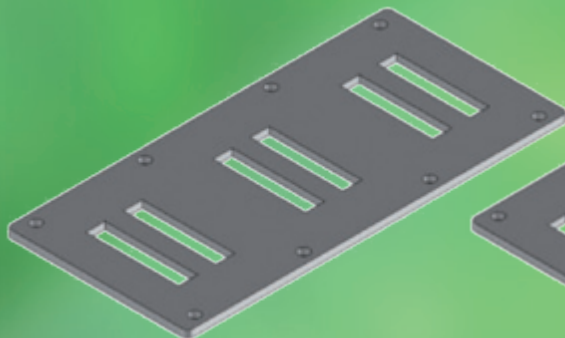
KTL-H-30

busbar flange,
hole size 10/30
6 holes



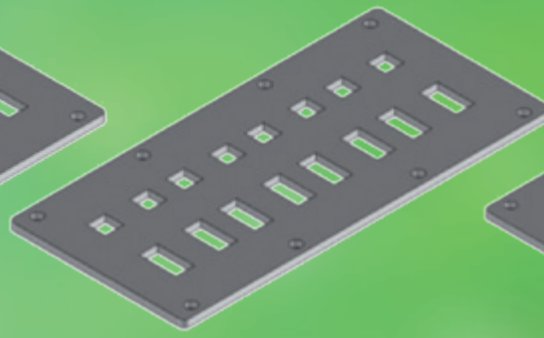
KTL-H-40

busbar flange,
hole size 10/40
6 holes



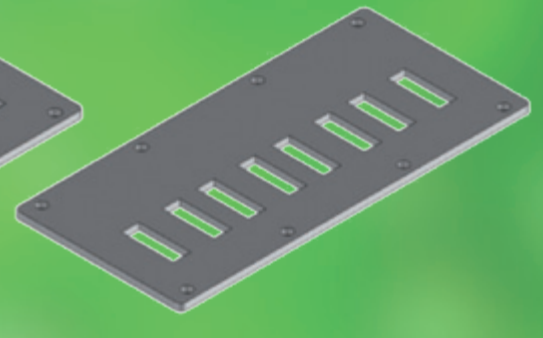
KTL-H-50

busbar flange,
hole size 10/50
6 holes



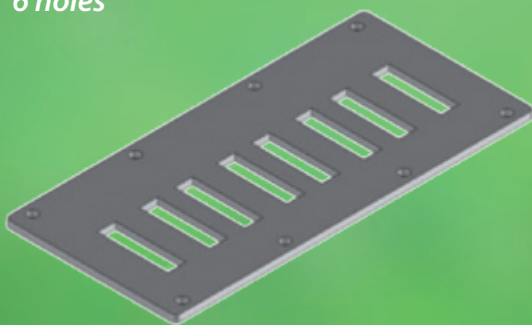
KTL-H-8-10-20

busbar flange 10/10 or 10/20
16 holes



KTL-H-8-30

busbar flange 10/30
8 holes



KTL-H-8-40

busbar flange 10/40
8 holes

CODE	BUSBAR/ HOLES	GTIN-CODE	COLOUR
KTL-H-10-20	12		grey RAL 7035
KTL-H-30	6		grey RAL 7035
KTL-H-40	6		grey RAL 7035
KTL-H-50	6		grey RAL 7035
KTL-H-8-10-20	16		grey RAL 7035
KTL-H-8-30	8		grey RAL 7035
KTL-H-8-40	8		grey RAL 7035

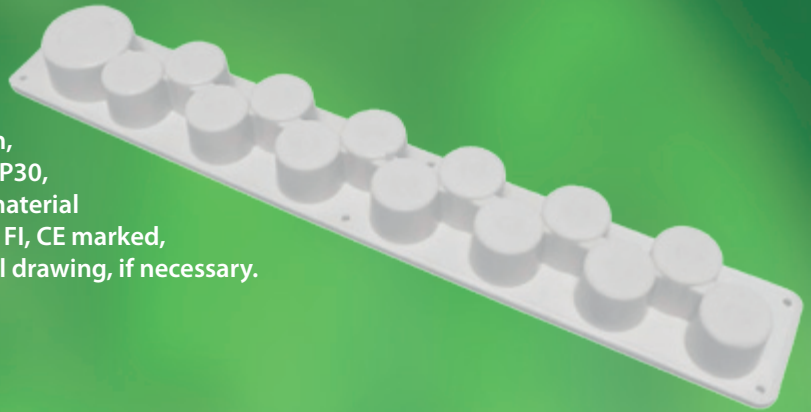


HTP-14

The flange is a so-called piping flange, flange size is 300 mm x 45 mm, fixing holes 3,5 mm, hole interval 35 mm x 130/150 x 295 mm, IP-class IP30, operating temperature -40 + 100 C, halogen free material TPE-SEBS 90 ShA, country of manufacture Finland, FI, CE marked, the flange is provided with a model or dimensional drawing, if necessary.

Bushing points:

- 1 x 20 mm - 30 mm
- 13 x 8 mm - 20 mm



CODE	GTIN-CODE	COLOUR
HTP-14		natural white

HTP-15

The flange is a so-called piping flange, flange size is 230 mm x 55 mm, fixing holes 3,5 mm, hole interval 45 mm x 90 / 96 / 220 mm, IP- class IP30, operating temperature -40 + 100 C, halogen free material TPE-SEBS 90 ShA, country of manufacture Finland, FI, CE marked, the flange is provided with a model or dimensional drawing, if necessary.

Bushing points:

- 1 x 11 mm - 26 mm
- 13 x 8 mm - 20 mm
- 1 x 21 mm - 33 mm



CODE	GTIN-CODE	COLOUR
HTP-15		natural white

HTP-18

The flange is a so-called piping flange, flange size is 300 mm x 56 mm, fixing holes 3,5 mm, hole interval 45 mm x 145 / 290 mm, IP-class IP30, operating temperature -40 + 100 C, halogen free material TPE-SEBS 90 ShA, country of manufacture Finland, FI, CE marked, the flange is provided with model or dimensional drawing, if necessary.

Bushing points:

- 1 x 20 mm - 30 mm
- 16 x 8 mm - 20 mm
- 1 x 10 mm - 25 mm



CODE	GTIN-CODE	COLOUR
HTP-18		natural white

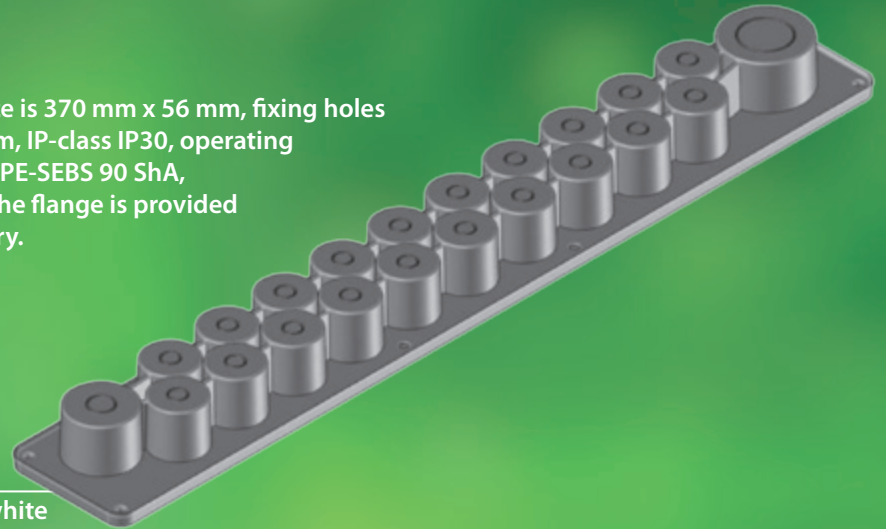


HTP-22

The flange is a so-called piping flange. Flange size is 370 mm x 56 mm, fixing holes 3,5 mm, hole interval 45 mm x 117 / 229 / 359 mm, IP-class IP30, operating temperature -40 + 100 C, halogen free material TPE-SEBS 90 ShA, country of manufacture Finland, FI, CE marked, the flange is provided with a model or dimensional drawing, if necessary.

Bushing points:

- 1 x 20 mm - 32 mm
- 20 x 8 mm - 20 mm
- 1 x 10 mm - 25 mm



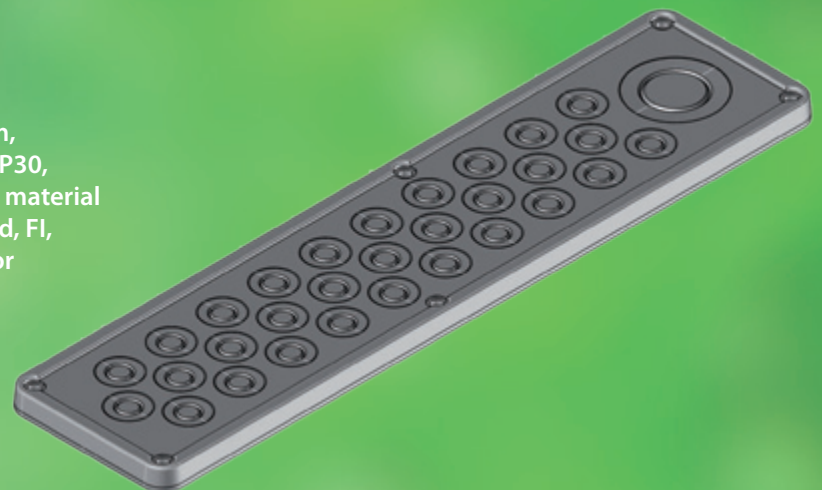
CODE	GTIN-CODE	COLOUR
HTP-22		natural white

HTP-31

Flange size 230 mm x 55 mm, fixing holes 3,5 mm, hole interval 45 mm x 90 / 96 / 220 mm, IP-class IP30, operating temperature -40 + 100 C, halogen free material TPE-SEBS 90 ShA, country of manufacture Finland, FI, CE marked, the flange is provided with a model or dimensional drawing, if necessary.

Bushing points:

- 1 x 20 mm - 28 mm
- 30 x 7 mm - 12 mm

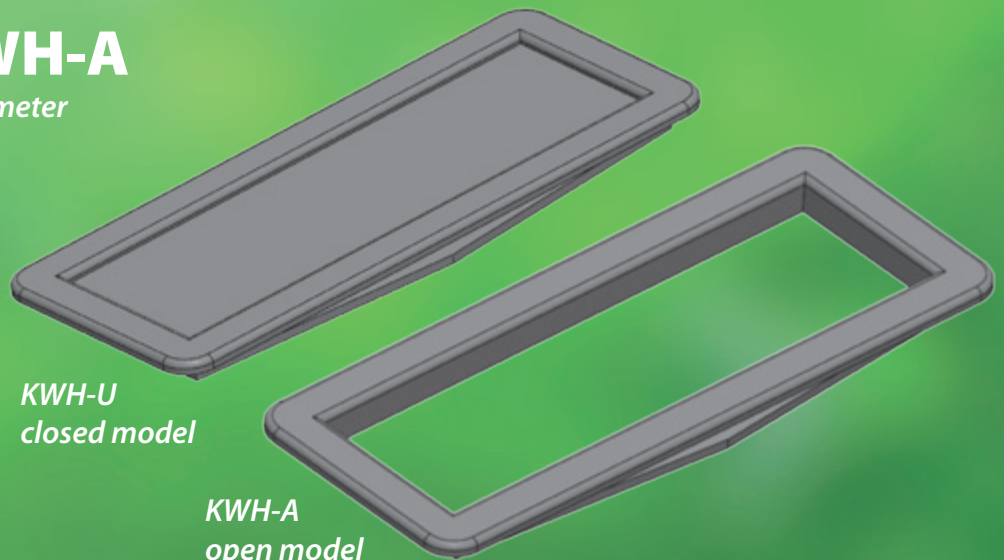


CODE	GTIN-CODE	COLOUR
HTP-31		natural white

KWH-U and KWH-A

Cable opening protection KWH meter

Suitable for 30 mm x 90 mm holes, halogen free material TPE-SEBS 90 ShA, operating temperature -40 +100C, country of manufacture Finland, FI, CE-marked.



*KWH-U
closed model*

*KWH-A
open model*



RIT-50

Suitable for opening Rittal centers, fixing holes 4 mm 8 pcs, flange size 90 mm x 330 mm. IP-class IP65, responsibility for perforation with the installer, halogen free material TPE-SEBS, TPE-SEBS V0, operating temperature -40 + 100 C, country of manufacture Finland, FI, CE marked.

Bushing points:

- 2 x 19 mm - 34 mm
- 4 x 16 mm - 25 mm
- 2 x 15 mm - 21 mm
- 26 x 10 mm - 15 mm
- 16 x 6 mm - 11 mm



CODE	GTIN-CODE	COLOUR
RIT-50	6410034630236	light grey RAL 7035
RIT-50 V0	6410034630243	natural white

RIT-63

Suitable for opening Rittal centers, fixing holes 4 mm 6 pcs, flange size 149 x 256 mm, IP-class IP65, responsibility for perforation with the installer, halogen free material TPE-SEBS, TPE-SEBS V0, operating temperature -40 +100 C, country of manufacture Finland, FI, CE marked.

Bushing points:

- 4 x 26 mm - 35 mm
- 4 x 15 mm - 24 mm
- 4 x 15 mm - 21 mm
- 16 x 10 mm - 15 mm
- 39 x 7 mm - 12 mm



CODE	GTIN-CODE	COLOUR
RIT-63	6430056160351	light grey RAL 7035
RIT-63 V0	6430056160368	natural white

RIT-38

Suitable for opening Rittal centers, fixing holes 4 mm 8 pcs, flange size 149 x 339 mm, IP class IP65, responsibility for perforation with the installer, halogen free material TPE-SEBS, TPE-SEBS V0, operating temperature -40 +100 C, country of manufacture Finland, FI, CE marked.

Bushing points:

- 24 pcs 20 mm - 28 mm
- 14 pcs 7 mm - 12 mm



CODE	GTIN-CODE	COLOUR
RIT-38	6430056160337	light grey RAL 7035
RIT-38 V0	6430056160344	natural white



RIT-96

Suitable for opening Rittal centers, fixing holes 4 mm 8 pcs, flange size 149 x 339 mm, IP class IP65, responsibility for perforation with the installer, halogen free material TPE-SEBS, TPE-SEBS V0, operating temperature -40 +100 C, country of manufacture Finland, FI, CE marked.

Bushing points:

- 28 x 7 mm - 12 mm
- 52 x 10 mm - 15 mm
- 4 x 15 mm - 21 mm
- 8 x 15 mm - 25 mm
- 4 x 26 mm - 35 mm



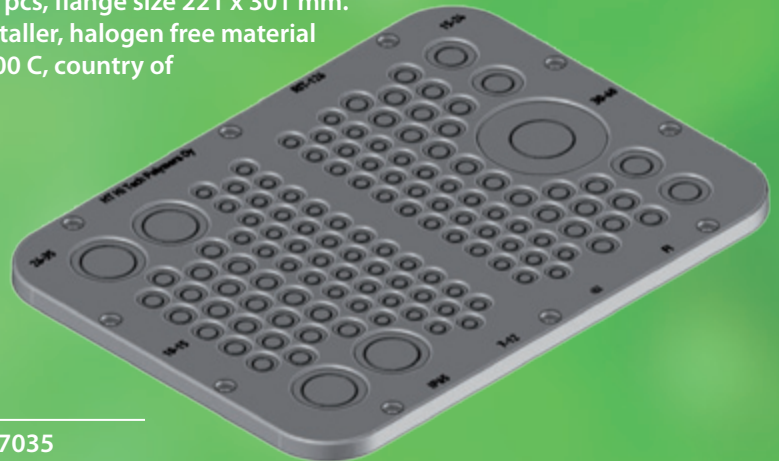
CODE	GTIN-CODE	COLOUR
RIT-96	06430056160375	light grey RAL 7035
RIT-96 V0	06430056160382	natural white

RIT-126

Suitable for opening Rittal centers, fixing holes 4mm 8 pcs, flange size 221 x 301 mm. IP class IP65, responsibility for perforation with the installer, halogen free material TPE-SEBS, TPE-SEBS V0, operating temperature -40 +100 C, country of manufacture Finland, FI, CE marked.

Bushing points:

- 1 x 30 mm - 60 mm
- 4 x 26 mm - 35 mm
- 4 x 15 mm - 24 mm
- 44 x 10 mm - 15 mm
- 73 x 7 mm - 12 mm



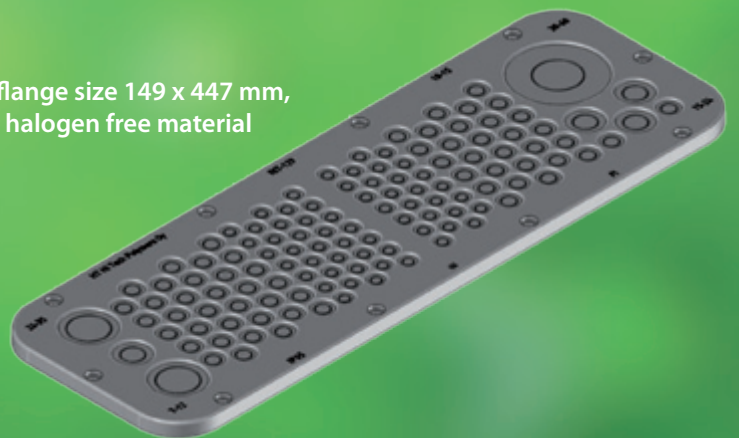
CODE	GTIN-CODE	COLOUR
RIT-126	6430056160399	light grey RAL 7035
RIT-126 V0	6430056160405	natural white

RIT-129

Suitable for opening Rittal centers, fixing holes 4 mm 8 pcs, flange size 149 x 447 mm, IP class IP65, responsibility for perforation with the installer, halogen free material TPE-SEBS, TPE-SEBS V0, operating temperature -40 +100 C, country of manufacture Finland, FI, CE marked.

Bushing points:

- 1 x 30 mm - 60 mm
- 2 x 26 mm - 35 mm
- 4 x 15 mm - 24 mm
- 63 x 10 mm - 15 mm
- 59 x 7 mm - 12 mm



CODE	GTIN-CODE	COLOUR
RIT-129	6430056160412	light grey RAL 7035
RIT-129 V0	6430056160429	natural white



RIT-139

Suitable for opening Rittal centers, fixing holes 4mm 8 pcs, flange size 149 x 534 mm, IP-class IP65, responsibility for perforation with the installer, halogen free material TPE-SEBS, TPE-SEBS V0, operating temperature -40 +100 C, country of manufacture Finland, FI, CE marked.

Bushing points:

- 1 x 30 mm - 60 mm
- 9 x 15 mm - 24 mm
- 129 x 10 mm - 15 mm



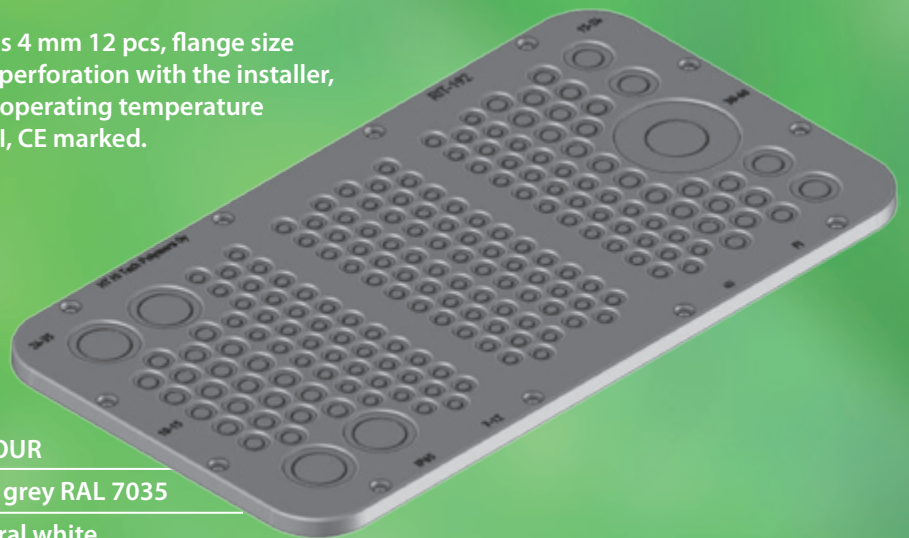
CODE	GTIN-CODE	COLOUR
RIT-139	6430056160436	light grey RAL 7035
RIT-139 V0	6430056160443	natural white

RIT-192

Suitable for opening Rittal centers, fixing holes 4 mm 12 pcs, flange size 221 x 401 mm. IP class IP65, responsibility for perforation with the installer, halogen free material TPE-SEBS, TPE-SEBS V0, operating temperature -40 +100 C, country of manufacture Finland, FI, CE marked.

Bushing points:

- 1 x 30 mm - 60 mm
- 4 x 26 mm - 35 mm
- 4 x 15 mm - 24 mm
- 44 x 10 mm - 15 mm
- 139 x 7 mm - 12 mm



CODE	GTIN-CODE	COLOUR
RIT-192	06430056160450	light grey RAL 7035
RIT-192 V0	06430056160467	natural white

SCH-82 *No mould*

Suitable for opening Schneider centers, fixing holes 4 mm 6 pcs, flange size 130 x 245 mm. IP-class IP65, responsibility for perforation with the installer, halogen free material TPE-SEBS, TPE-SEBS V0, operating temperature -40 +100 C, country of manufacture Finland , FI, CE marked.

Bushing points:

- 2 x 17 mm - 32 mm
- 4 x 12 mm - 18 mm
- 44 x 7 mm - 12 mm
- 32 x 6 mm - 10 mm



CODE	GTIN-CODE	COLOUR
SCH-82		light grey RAL 7035
SCH-82 V0		natural white



SCH-122

Suitable for opening Schneider centers, fixing holes 4 mm 8 pcs, flange size 130 mm x 345 mm. IP-class IP65, responsibility for perforation with the installer, halogen free material TPE-SEBS, TPE-SEBS V0, operating temperature -40 +100 C, country of manufacture Finland, FI, CE marked.

Bushing points:

- 2 x 17 mm - 32 mm
- 8 x 12 mm - 18 mm
- 48 x 7 mm - 12 mm
- 66 x 6 mm - 10 mm



CODE	GTIN-CODE	COLOUR
SCH-122	6430056160474	light grey RAL 7035
SCH-122 V0	6430056160481	natural white

SCH-140

Suitable for opening Schneider centers, fixing holes 4 mm 8 pcs. The corners must be fitted with 3mm drill screws to ensure tightness, the places marked at the corners. Flange size 130 mm x 445 mm. IP-class IP65, responsibility after perforation is with the installer, halogen free material TPE-SEBS, TPE-SEBS V0, operating temperature -40 +100 C, country of manufacture Finland, FI, CE marked.

Bushing points:

- 4 x 17 mm - 32 mm
- 12 x 12 mm - 18 mm
- 46 x 7 mm - 12 mm
- 78 x 6 mm - 10 mm



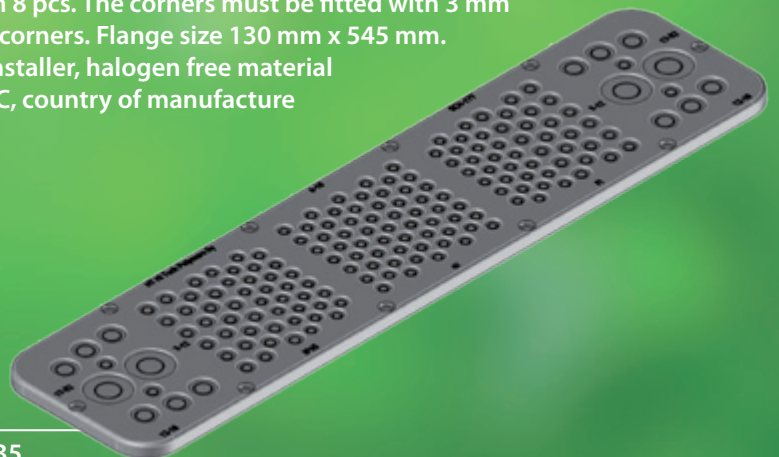
CODE	GTIN-CODE	COLOUR
SCH-140	6430056160498	light grey RAL 7035
SCH-140 V0	6430056160504	natural white

SCH-177

Suitable for opening Schneider centers, fixing holes 4 mm 8 pcs. The corners must be fitted with 3 mm drill screws to ensure tightness, the places marked at the corners. Flange size 130 mm x 545 mm. IP-class IP65, responsibility after perforation is with the installer, halogen free material TPE-SEBS, TPE-SEBS V0, operating temperature -40 +100 C, country of manufacture Finland, FI, CE marked.

Bushing points:

- 4 x 17 mm - 32 mm
- 12 x 12 mm - 18 mm
- 50 x 7 mm - 12 mm
- 111 x 6 mm - 10 mm



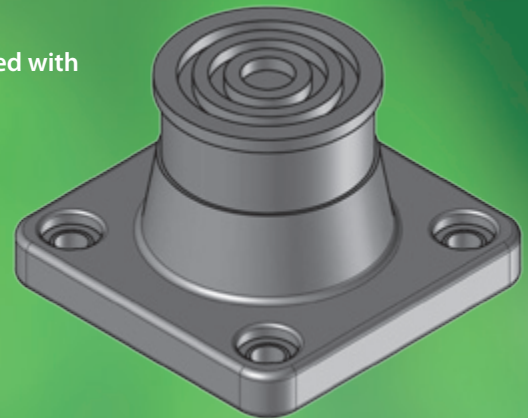
CODE	GTIN-CODE	COLOUR
SCH-177	6430056160528	light grey RAL 7035
SCH-177 V0	6430056160535	natural white



KUPO Mini

Fixing holes 5mm, hole interval 35 mm x 35 mm. The clamp must be tightened with RST-clamp. IP-class IP65. Cable sizes 10 mm – 26 mm, halogen free material TPE-SEBS, TPE-SEBS V0, operating temperature -40 +100 C, country of manufacture Finland, FI, CE marked. The clamp is included in the price.

Bushing points:
10 mm - 26 mm



CODE	GTIN-CODE	COLOUR
------	-----------	--------

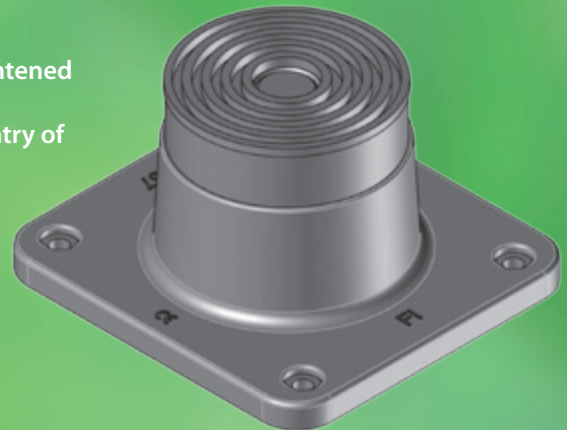
KUPO Mini	6430056160726	black
-----------	---------------	-------

KUPO Mini V0	6430056160733	black
--------------	---------------	-------

KUPO M

Fixing holes 6mm, hole interval 70,5 mm x 61 mm, the cable must be tightened with a RST-clamp, IP-class IP65, cable sizes 23 mm - 48 mm, halogen free material TPE-SEBS, TPE-SEBS V0, operating temperature -40 +100 C, country of manufacture Finland, FI, CE marked. The clamp is included in the price.

Bushing points:
23 mm - 48 mm
(The minimum diameter of 23 mm is not suitable for smaller cables)



CODE	GTIN-CODE	COLOUR
------	-----------	--------

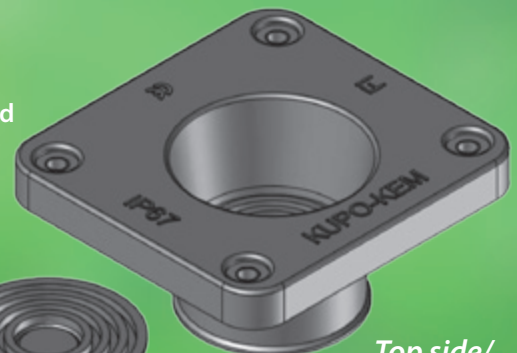
KUPO M	6430056160665	black
--------	---------------	-------

KUPO M V0	6430056160672	black
-----------	---------------	-------

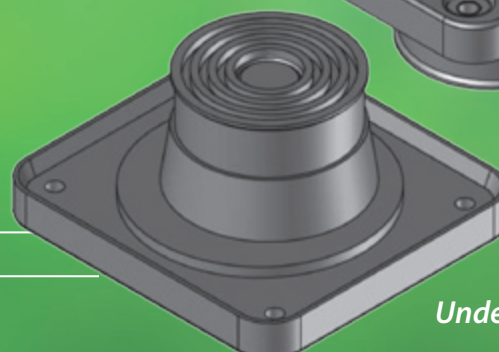
KUPO Kem

Fixing holes 5mm, hole interval 70,5 mm x 61 mm, the cable must be tightened with a RST-clamp, IP-class IP65, cable sizes 23mm - 48mm, halogen free material TPE-SEBS, TPE-SEBS V0, operating temperature -40 +100 C, country of manufacture Finland, FI, CE marked. The clamp is included in the price.

Bushing points:
23 mm - 48 mm
(The minimum diameter of 23 mm is not suitable for smaller cables)



*Top side/
installation side*



Underside

CODE	GTIN-CODE	COLOUR
------	-----------	--------

KUPO-KEM	6430056160702	black
----------	---------------	-------

KUPO-KEM V0	6430056160719	black
-------------	---------------	-------

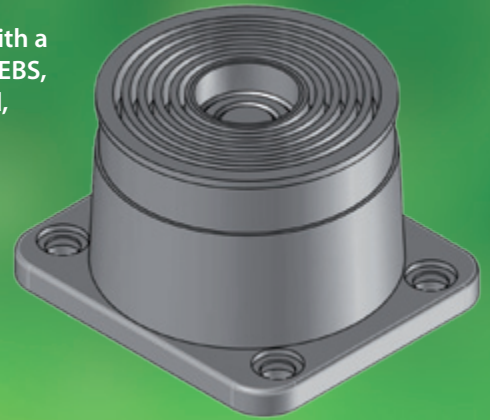


KUPO G

Fixing holes 8 mm, hole interval 80 mm x 57 mm. The cable must be tightened with a RST-clamp, IP-class IP65, cable sizes 36 mm - 62 mm, halogen free material TPE-SEBS, TPE-SEBS V0, operating temperature -40 +100 C, country of manufacture Finland, FI, CE marked. The clamp is included in the price.

Bushing points:
36 mm - 62 mm
(The minimum diameter of 36 mm is not suitable for smaller cables)

CODE	GTIN-CODE	COLOUR
KUPO G	6410034630403	black
KUPO G-V0	6410034630410	black

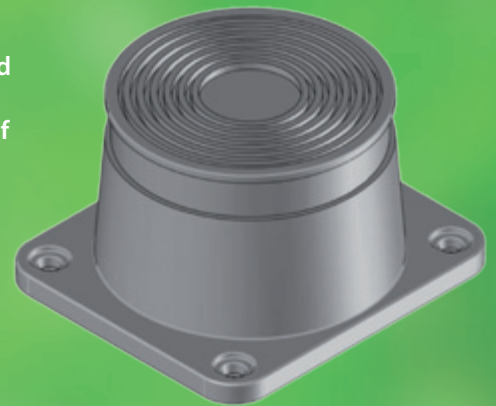


KUPO L

Fixing holes 8mm, hole interval 101 mm x 86 mm, the cable must be tightened with a RST-clamp, IP-class IP65, cable sizes 50 mm - 88 mm, halogen free material TPE-SEBS, TPE-SEBS V0, operating temperature -40 +100 C, country of manufacture Finland, FI, CE marked. The clamp is included in the price.

Bushing points:
50 mm - 88 mm
(The minimum diameter of 50 mm is not suitable for smaller cables)

CODE	GTIN-CODE	COLOUR
KUPO L	6430056160641	black
KUPO L V0	6430056160658	black



HTX-1

Fixing holes 6 mm 5 pcs, 98 mm on the perimeter either, halogen free material TPE-SEBS, TPE-SEBS V0, IP-class IP65, operating temperature -40 +100 C, country of manufacture Finland, FI, CE marked.

Bushing points:
1 x 52 mm - 70 mm
The cable must be tightened with a RST-clamp.
The clamp is not included in the price.

CODE	GTIN-CODE	COLOUR
HTX-1	6410034630281	light grey RAL7035
HTX-1 V0	6410034630298	natural white





HIK-1

Suitable for FL21 hole, fixing holes 10 mm, hole interval 193 mm x 62 mm, the mounting hole must be modified if the largest cable is used. IP-class IP65, halogen free material TPE-SEBS, TPE-SEBS V0, operating temperature -40 +100 C, country of manufacture Finland, FI, CE marked. The clamp is included in the price.

Bushing points:

- 1 x 30 mm - 64 mm
- 1 x 15 mm - 35 mm
- 4 x 8 mm - 14 mm



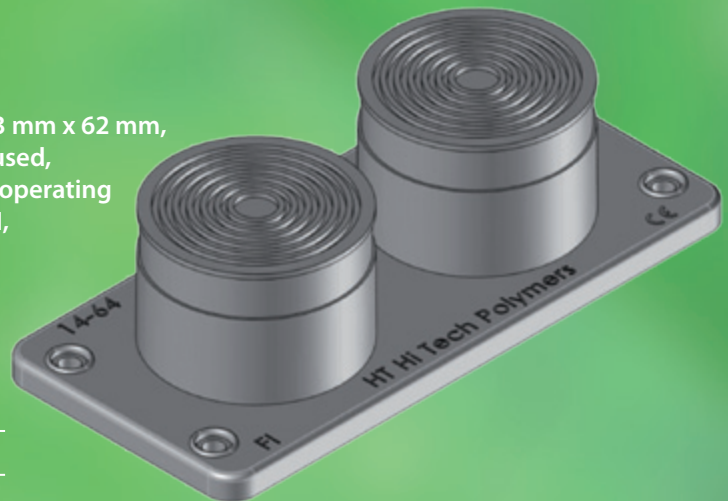
CODE	GTIN-CODE	COLOUR
HIK-1	6410017060401	black
HIK-1 V0	6410017060418	black

HIK-2

Suitable for FL21 hole, fixing holes 10 mm, hole interval 193 mm x 62 mm, the mounting hole must be modified if the largest cable is used, IP-class IP65, halogen free material TPE-SEBS, TPE-SEBS V0, operating temperature -40 +100 C, country of manufacture Finland, FI, CE marked. Two clamps are included in the price.

Bushing points:

- 2 x 30 mm - 64 mm



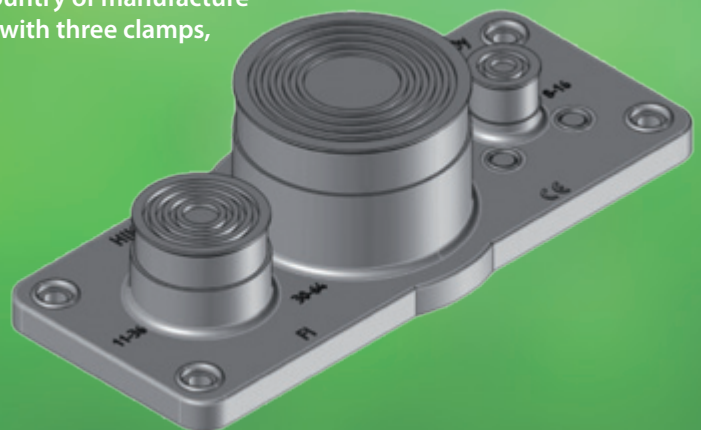
CODE	GTIN-CODE	COLOUR
HIK-2	6410017060425	black
HIK-2 V0	6410017060432	black

HIK-3

Suitable for FL21 hole, fixing holes 10 mm, hole interval 193 mm x 62 mm, the mounting hole must be modified if the largest cable is used, IP-class IP65, halogen free material TPE-SEBS, TPE-SEBS V0, operating temperature -40 +100 C, country of manufacture Finland, FI, CE marked. The product is packed in a plastic bag with three clamps, a sealing and fastening parts.

Bushing points:

- 1 x 30 mm - 64 mm IP65
- 1 x 15 mm - 36 mm IP65
- 1 x 8 mm - 16 mm IP65
- 4 x 8 mm - 14 mm IP54



CODE	GTIN-CODE	COLOUR
HIK-3	6430056160061	black
HIK-3 V0	6430056160078	black

HIK-4

Suitable for FL21 hole, fixing holes 10 mm, hole interval 193 mm x 62 mm, the mounting hole must be modified if the largest and two the smallest cable is used, IP-class IP65, halogen free material TPE-SEBS, TPE-SEBS V0, operating temperature -40 +100 C, country of manufacture Finland, FI, CE marked. The product is packed in a plastic bag with four clamps, a sealing and fastening parts.

Bushing points:

2 x 30 mm - 64 mm IP65

2 x 8 mm - 16 mm IP65



CODE	GTIN-CODE	COLOUR
HIK-4	6430056160085	black
HIK-4 V0	6430056160092	black

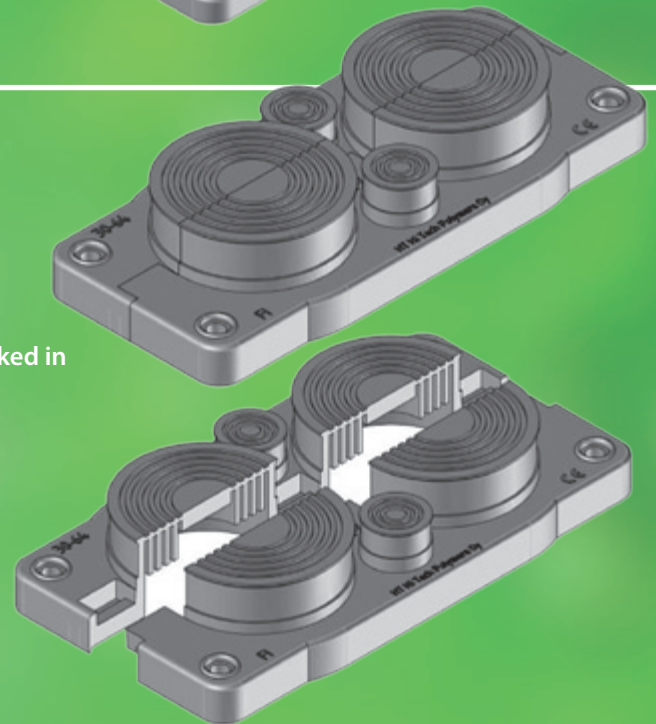
HIK-4-HALK (Split grommet)

Suitable for FL21 hole, fixing holes 10 mm, hole interval 193 mm x 62 mm, the mounting hole must be modified if the largest and two the smallest cable is used, IP-class IP44, halogen free material TPE-SEBS, TPE-SEBS V0, operating temperature -40 +100 C, country of manufacture Finland, FI, CE marked. The product is packed in a plastic bag with four clamps, a sealing and fastening parts.

Bushing points:

2 x 30 mm - 64 mm IP44

2 x 8 mm - 20 mm IP44



CODE	GTIN-CODE	COLOUR
HIK-4-HALK	6430056160603	black
HIK-4-HALK V0	6430056160610	black

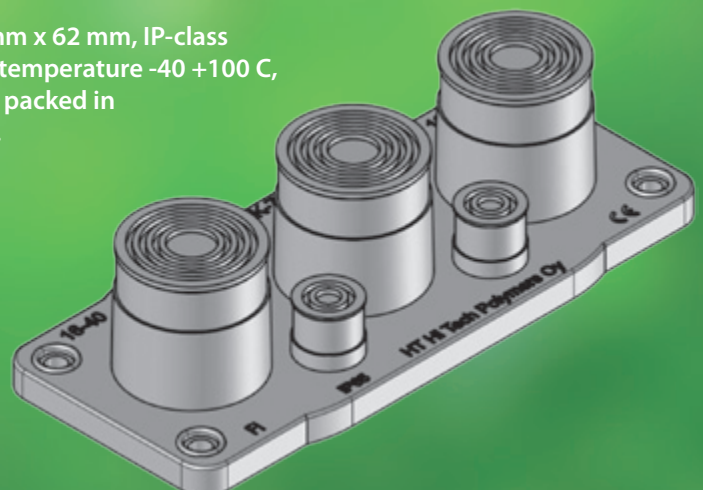
HIK-7

Suitable for FL21 hole, fixing holes 10 mm, hole interval 193 mm x 62 mm, IP-class IP65, halogen free material TPE-SEBS, TPE-SEBS V0, operating temperature -40 +100 C, country of manufacture Finland, FI, CE marked. The product is packed in a plastic bag with seven clamps, a sealing and fastening parts.

Bushing points:

3 x 16 mm - 40 mm IP65

4 x 8 mm - 16 mm IP65



CODE	GTIN-CODE	COLOUR
HIK-7		black
HIK-7 V0		black



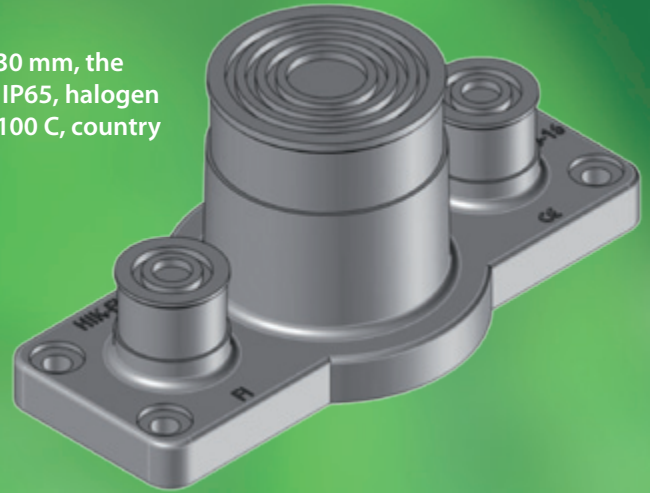
HIK-FL13-1

Suitable for FL 13 hole, fixing holes 6 mm, hole interval 120 mm x 30 mm, the mounting hole must be modified if the largest cable used, IP-class IP65, halogen free material TPE-SEBS, TPE-SEBS V0, operating temperature -40 +100 C, country of manufacture Finland, FI, CE marked. The product is packed in a plastic bag with three clamps, a sealing and fastening parts.

Bushing points:

1 x 16 mm - 40 mm

2 x 8 mm - 16 mm



CODE	GTIN-CODE	COLOUR
HIK-FL13-1	6430056160108	black
HIK-FL13-1 V0	6430056160122	black

HIK-FL13-2

Suitable for FL13 hole, fixing holes 6 mm, hole interval 120 mm x 30 mm, the mounting hole must be modified if the largest cable is used, IP-class IP65, halogen free material TPE-SEBS, TPE-SEBS V0, operating temperature -40 +100 C, country of manufacture Finland, FI, CE marked. The product is packed in a plastic bag with two clamps, a sealing and fastening parts.

Bushing points:

2 x 16 mm - 40 mm



CODE	GTIN-CODE	COLOUR
HIK-FL13-2	6430056160115	black
HIK-FL13-2 V0	6430056160139	black

HIK-L-3EK

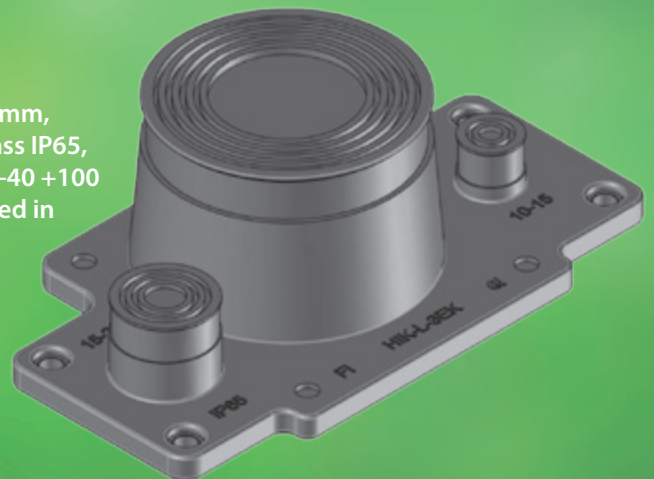
Suitable for FL21 hole, fixing holes 10 mm, hole interval 193 mm x 62 mm, the mounting hole must be modified if the largest cable is used, IP-class IP65, halogen free material TPE-SEBS, TPE-SEBS V0, operating temperature -40 +100 C, country of manufacture Finland, FI, CE marked. The product is packed in a plastic bag with three clamps, a sealing and fastening parts.

Bushing points:

1 x 52 mm - 90 mm IP65

1 x 15 mm - 28 mm IP65

1 x 10 mm - 15 mm IP65



CODE	GTIN-CODE	COLOUR
HIK-L-3EK	6430056160627	black
HIK-L-3EK V0	6430056160634	black

MET-M *mm/pg holes*

Halogen free material TPE-SEBS, TPE-SEBS V0,
country of manufacture FINLAND FI, CE-marked, IP67

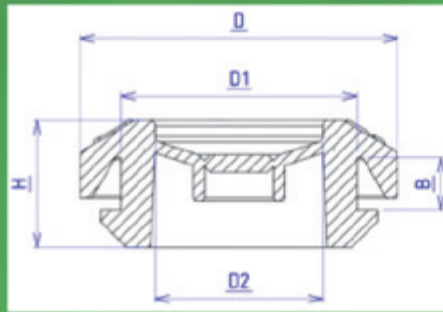


CODE	PLATE HOLE/MM	CABLE DIA	COLOUR
MET M12	12 mm/Pg size	3 - 5 mm	grey RAL 7035
MET M12 V0	12	3 - 5 mm	natural white
MET M16	16 mm/Pg size	5 - 7 mm	grey RAL 7035
MET M16 V0	16	5 - 7 mm	natural white
MET M20	20 mm/Pg size	7 - 10 mm	grey RAL 7035
MET M20 V0	20	7 - 10 mm	natural white
MET M23	23 Pg size	10 - 14 mm	grey RAL 7035
MET M23 V0	23	10 - 14 mm	natural white
MET M25	25 mm size	10 - 14 mm	grey RAL 7035
MET M25 V0	25	10 - 14 mm	natural white
MET M29	29 mm/Pg size	14 - 20 mm	grey RAL 7035
MET M29 V0	29	14 - 20 mm	natural white
MET M32	32 mm size	14 - 20 mm	grey RAL 7035
MET M32 V0	32	14 - 20 mm	natural white
MET M40	40 mm/Pg size	20 - 26 mm	grey RAL 7035
MET M40 V0	38 /40	20 - 26 mm	natural white
MET M50	50 mm/Pg size	26 - 35 mm	grey RAL 7035
MET M50 V0	50	26 - 35 mm	natural white
MET M60	60 mm size	35 - 45 mm	grey RAL 7035
MET M60 V0	60	35 - 45 mm	natural white
MET M80	80 mm size	40 - 60 mm	grey RAL 7035
MET M80 V0	80	40 - 60 mm	natural white



HSS-GROMMETS

Halogen free material TPE-SEBS, TPE-SEBS V0,
IP-class IP67. HSS-M100 and HSS-M120 IP-class IP54,
country of manufacture Finland, FI, CE-marked.
Operating temperature -40° – +100°C.



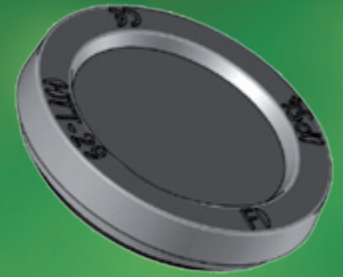
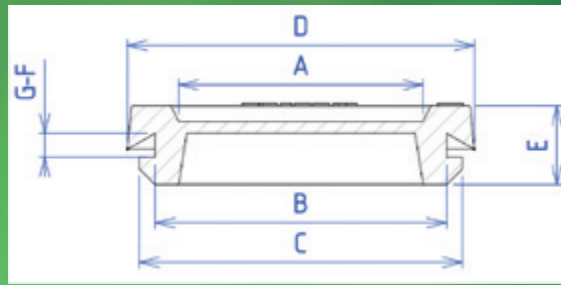
CODE	D	D1	D2	H	B	BOX QUANTITY / COLOUR
HSS-M6	12,2 mm	6,2 mm	1 - 3 mm	7,5 mm	1 - 2,0 mm	2500 pcs RAL7035
HSS-M6 V0	12,2 mm	6,2 mm	1 - 3 mm	7,5 mm	1 - 2,0 mm	2500 pcs white
HSS-M9	18 mm	9 mm	2 - 6 mm	9 mm	1 - 3,5 mm	2500 pcs RAL 7035
HSS-M9 V0	18 mm	9 mm	2 - 6 mm	9 mm	1 - 3,5 mm	2500 pcs white
HSS-M12	22 mm	12 mm	3 - 5 mm	11 mm	1,5 - 4,5 mm	2000 pcs RAL 7035
HSS-M12 V0	22 mm	12 mm	3 - 5 mm	11 mm	1,5 - 4,5 mm	2000 pcs white
HSS-M16	23,5 mm	16 mm	5 - 10 mm	11 mm	1,5 - 4,5 mm	1500 pcs RAL 7035
HSS-M16 V0	23,5 mm	16 mm	5 - 10 mm	11 mm	1,5 - 4,5 mm	1500 pcs white
HSS-M20	27,5 mm	20 mm	7 - 12 mm	11 mm	1,5 - 4,5 mm	1000 pcs RAL 7035
HSS-M20 V0	27,5 mm	20 mm	7 - 12 mm	11 mm	1,5 - 4,5 mm	1000 pcs white
HSS-PG16	32,5 mm	23 mm	10 - 14 mm	11 mm	1,5 - 4,5 mm	500 pcs RAL 7035
HSS-PG16 V0	32,5 mm	23 mm	10 - 14 mm	11 mm	1,5 - 4,5 mm	500 pcs white
HSS-M25	32,5 mm	25 mm	8 - 15 mm	11 mm	1,5 - 4,5 mm	500 pcs RAL 7035
HSS-M25 V0	32,5 mm	25 mm	8 - 15 mm	11 mm	1,5 - 4,5 mm	500 pcs white
HSS-M32	44 mm	32 mm	14 - 20 mm	15 mm	1,5 - 4,5 mm	500 pcs RAL 7035
HSS-M32 V0	44 mm	32 mm	14 - 20 mm	15 mm	1,5 - 4,5 mm	500 pcs white
HSS-M40	53 mm	40 mm	20 - 28 mm	15 mm	1,5 - 4,5 mm	250 pcs RAL 7035
HSS-M40 V0	53 mm	40 mm	20 - 28 mm	15 mm	1,5 - 4,5 mm	250 pcs white
HSS-M50	65 mm	50 mm	8 - 27 - 35 mm	21 mm	1,5 - 5,5 mm	150 pcs RAL 7035
HSS-M50 V0	65 mm	50 mm	8 - 27 - 35 mm	21 mm	1,5 - 5,6 mm	150 pcs white
HSS-M60	71 mm	60 mm	15 - 34 - 45 mm	21 mm	1,5 - 5,5 mm	100 pcs RAL 7035
HSS-M60 V0	71 mm	60 mm	15 - 34 - 45 mm	21 mm	1,5 - 5,5 mm	100 pcs white
HSS-M80	100 mm	80 mm	22 - 39 - 60 mm	25 mm	1,5 - 5,5 mm	100 pcs RAL 7035
HSS-M80 V0	100 mm	80 mm	22 - 39 - 60 mm	25 mm	1,5 - 5,5 mm	100 pcs white
HSS-M100	122 mm	100 mm	52 - 68 - 85 mm	20 mm	1,5 - 5,5 mm	50 pcs RAL 7035
HSS-M100 V0	122 mm	100 mm	52 - 68 - 85 mm	20 mm	1,5 - 5,5 mm	50 pcs white
HSS-M120	142 mm	120 mm	69 - 95 - 100 mm	26 mm	1,5 - 6,0 mm	20 pcs RAL 7035
HSS-M120 V0	142 mm	120 mm	69 - 95 - 100 mm	26 mm	1,5 - 6,0 mm	20 pcs white

RAL 7035 is light grey, white is natural white, also available in black colour in both normal and UL94-V0 material.



HTT-GROMMETS

Halogen free material TPE - SEPS,
TPE - SEPS V0, IP-class IP54, country of
manufacture Finland, FI, CE-marked.
Operating temperature -40° - +100°C.



CODE	A	B	C	D	E	G/F	COLOUR
HTT-9	9 mm	15,5 mm	18,5 mm	20 mm	7 mm	1 - 2 mm	black
HTT-9 V0	9 mm	15,5 mm	18,5 mm	20 mm	7 mm	1 - 2 mm	black V0
HTT-11	11 mm	18,5 mm	21,5 mm	23 mm	7 mm	1 - 2 mm	black
HTT-11 V0	11 mm	18,5 mm	21,5 mm	23 mm	7 mm	1 - 2 mm	black V0
HTT-13,5	13,5 mm	20,5 mm	23,5 mm	25 mm	7 mm	1 - 2 mm	black
HTT-13,5 V0	13,5 mm	20,5 mm	23,5 mm	25 mm	7 mm	1 - 2 mm	black V0
HTT-16	16 mm	22,5 mm	26 mm	28 mm	7 mm	1 - 2 mm	black
HTT-16 V0	16 mm	22,5 mm	26 mm	28 mm	7 mm	1 - 2 mm	black V0
HTT-21	21 mm	28 mm	32 mm	35 mm	9 mm	1 - 3 mm	black
HTT-21 V0	21 mm	28 mm	32 mm	35 mm	9 mm	1 - 3 mm	black V0
HTT-29	29 mm	37 mm	41 mm	44 mm	10 mm	1 - 3 mm	black
HTT-29 V0	29 mm	37 mm	41 mm	44 mm	10 mm	1 - 3 mm	black V0
HTT-36	36 mm	47 mm	51 mm	54 mm	12 mm	1,5 - 3 mm	black
HTT-36 V0	36 mm	47 mm	51 mm	54 mm	12 mm	1,5 - 3 mm	black V0
HTT-48	48 mm	60 mm	64 mm	68 mm	12 mm	1,5 - 3 mm	black
HTT-48 V0	48 mm	60 mm	64 mm	69 mm	12 mm	1,5 - 3 mm	black V0
HTT-53	53 mm	64 mm	70 mm	75 mm	12 mm	1,5 - 3 mm	black
HTT-53 V0	53 mm	64 mm	70 mm	75 mm	12 mm	1,5 - 3 mm	black V0
HTT-69	69 mm	79 mm	84 mm	90 mm	12 mm	1,5 - 3mm	black
HTT-69 V0	69 mm	79 mm	84 mm	90 mm	12 mm	1,5 - 3 mm	black V0

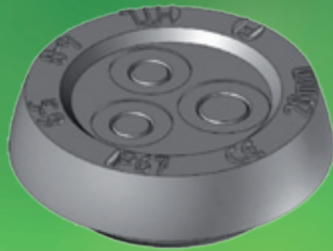


HTL-GROMMETS

Halogen free material TPE-SEBS, TPE-SEBS V0, IP-class IP65, operating temperature -40 +100 C,
country of manufacture Finland, FI, CE-marked.

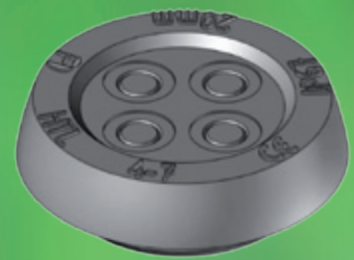
HTL 20-3

4 - 8 mm 2 pcs /
5 - 9,5 mm 1 pc



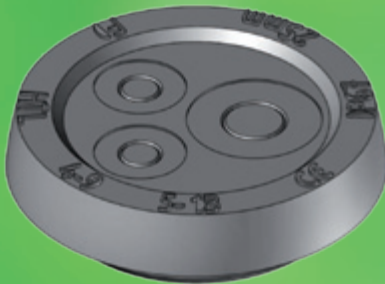
HTL 20-4

4 - 7 mm 4 pcs



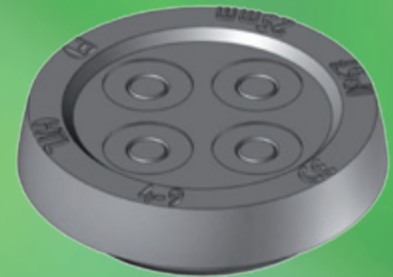
HTL 25-3

4 - 9 mm 2 pcs /
5 - 13 mm 1 pc



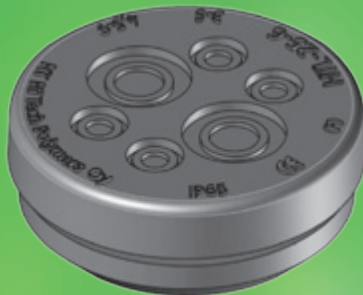
HTL 25-4

4 - 9 mm 4 pcs



HTL 25-6

3 - 5 mm 4 pcs /
4,5 - 9 mm 2 pcs





HTL-GROMMETS

Halogen free material TPE-SEBS, TPE-SEBS VO, IP-class IP65, operating temperature -40+100 C, country of manufacture Finland, FI, CE-marked.

HTL 28 - 6

3,0 - 4,0 mm 3 pcs /
5,0 - 9,0 mm 3 pcs



HTL 32 - 14

3,0 - 7,0 mm 14 pcs



HTL 40 - 10

2,5 - 7 mm 7 pcs /
5,5 - 14 mm 3 pcs



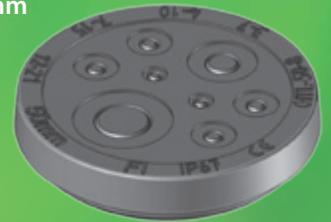
HTL 40-14

3 - 5 mm 2 pcs / 3 - 6 mm 8 pcs
6 - 9 mm 2 pcs / 6 - 11 mm 2 pcs



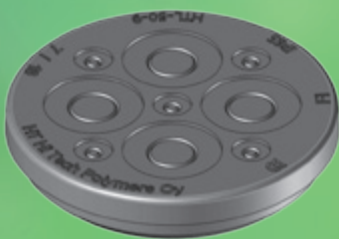
HTL 50-8

4 - 10 mm 4 pcs / 7 - 15 mm 1 pcs
3 - 7 mm 2 pcs /
12 - 21 mm
1 pcs



HTL 50-9

3,5 - 7 mm 5 pcs / 9,5 mm 4 pcs



HTL 50-21

3 - 7 mm 20 pcs / 7 - 12 mm 1 pcs



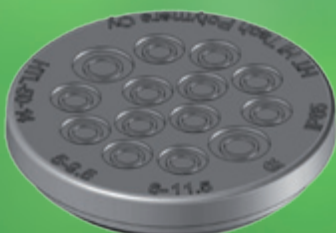
HTL 50-7

8 - 12 mm
7 pcs



HTL 50-14

5 - 9,5 mm 12 pcs /
6 - 11,5 mm 2 pcs



HTL 50-36

3,5 - 5,5 mm 36 pcs



HTL 80-16

6 - 10 mm 6 pcs / 6 - 12 mm 8 pcs /
13 - 28 mm 2 pcs





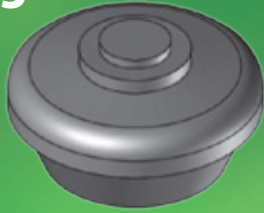
SMALL GROMMETS

Halogen free material TPE-SEBS, TPE-SEBS V0, operating temperature -40 +100 C, country of manufacture Finland, FI.
HMR 615, HMR-16,5, SK 8-13, EV-16, SP-16, SP-20, SO 20/23-14A, SO 20/23-14B, SO 20/23-14C.

HMR615

cable dia
7 - 15 mm

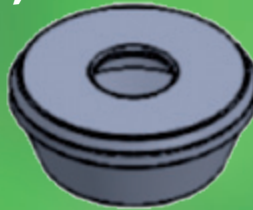
Mounting
hole 21 mm



HMR-16,5

cable dia
8 - 14 mm

Mounting
hole 16 mm



SK 8-13

cable dia
8,5 -
12,5
mm

Mounting
hole 20 / 38 mm



EV-16

cable dia
4,6 - 11 mm

Mounting hole 16 mm



SP-16

cable dia 1 - 3,5 mm
3 pcs or 8,2 - 9 mm 1 pc

Mounting hole 16 mm



SP-20

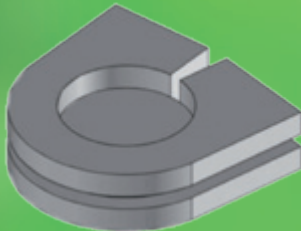
cable dia 1 - 3,5 mm
3 pcs or 8,2 - 9 mm 1 pc

Mounting hole 20 mm



SO 20/23-14A

cable dia
1 - 13 mm



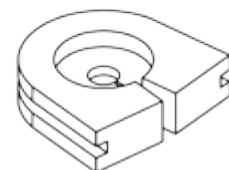
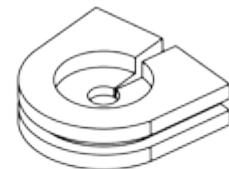
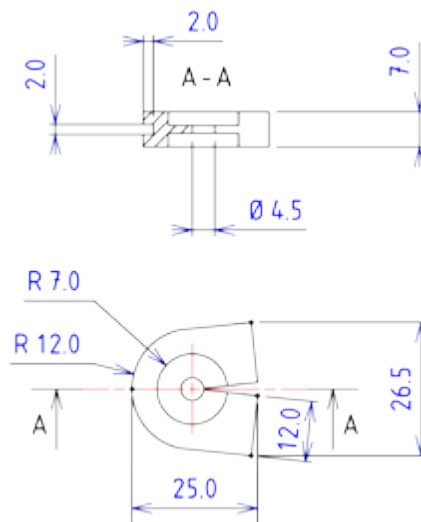
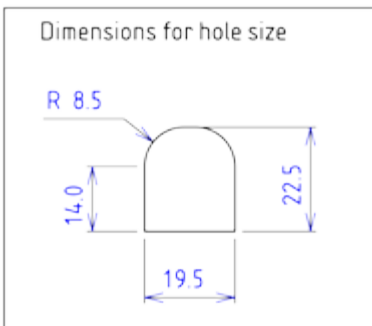
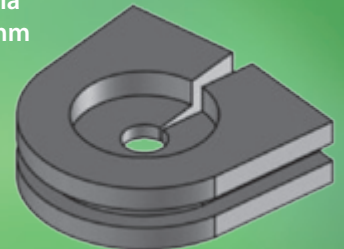
SO 20/23-14B

cable dia
1 - 13 mm



SO 20/23-14C

cable dia
5 - 13 mm

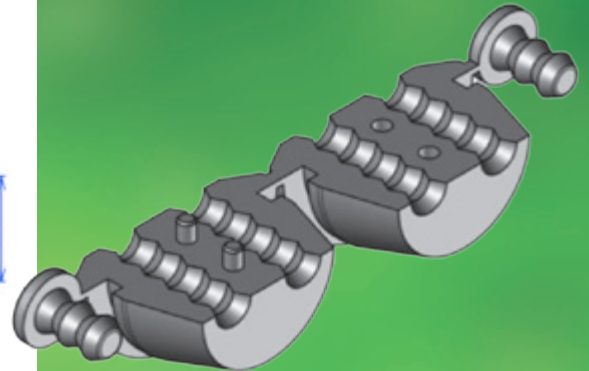
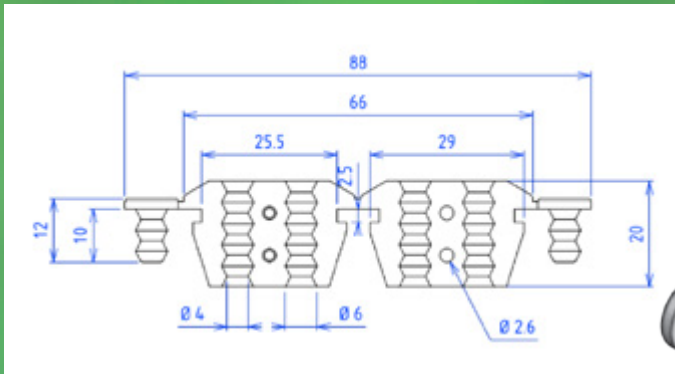


HAL-GROMMETS

For cables with closed connectors.
Halogen free materials TPE-SEBS and TPE-SEBS V0.

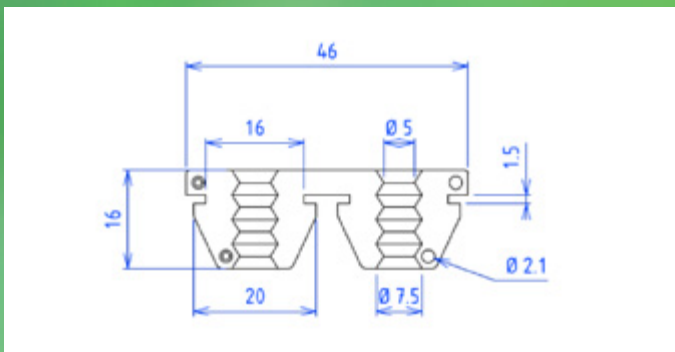
HAL-25

2 x 4 - 6



HAL-16

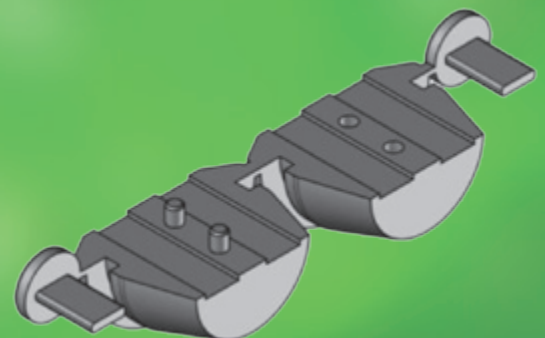
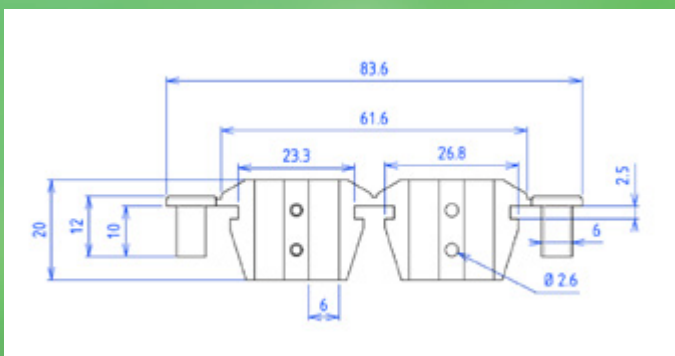
No mould



HAL-23-2 / 1,5 - 6

No mould

For flat cable 1 mm x 6 mm.



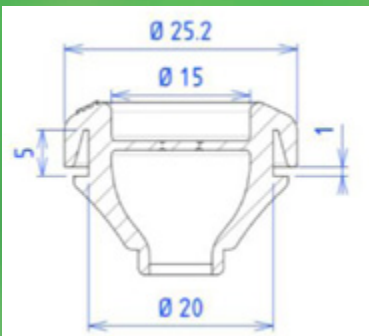


SWE-GROMMETS

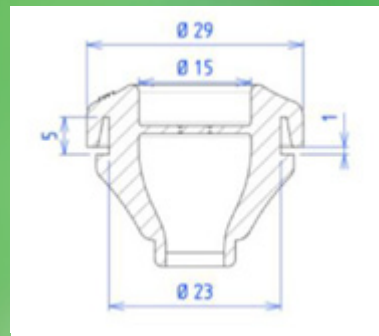
Material TPE-SEBS or TPE-SEBS UL94 V0, halogen free,
country of manufacture Finland FI, CE-marked, IP-class IP65.



CODE	O/D	INTO THE HOLE	STRENGTH	FOR WIRES	COLOR
SWE-20	25,2 mm	19 / 20 mm	1 - 5 mm	4,5 - 14 mm	grey RAL 7035
SWE-20 V0	25,2 mm	19 / 20 mm	1 - 5 mm	4,5 - 14 mm	natural white
SWE-23	29,0 mm	23 mm	1 - 5 mm	4,5 - 14 mm	grey RAL 7035
SWE-23 V0	29,0 mm	23 mm	1 - 5 mm	4,5 - 14 mm	natural white



SWE-20



SWE-23

Pass-throughs can also be made in different sizes if necessary. If necessary, the feed-through blanks can also be made oval or several round feed-through blanks for the membrane. In addition, also an example of a lead-through where the cable can be passed through and where the connector is ready. Below are pictures of examples.

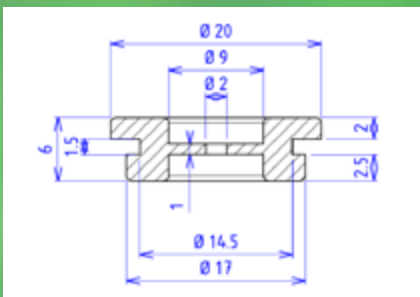
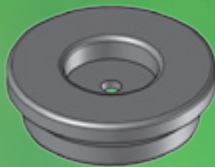




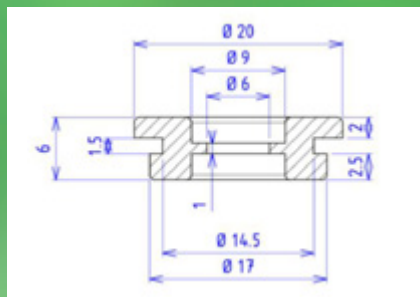
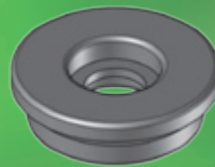
NORMAL GROMMETS

Halogen free material TPE-SEBS, TPE-SEBS V0. Operating temperature -40C+100C.

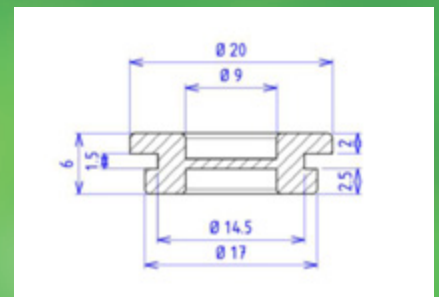
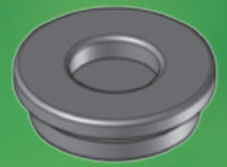
1053L



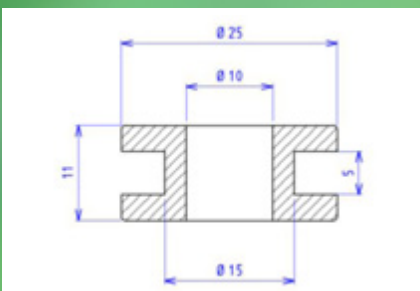
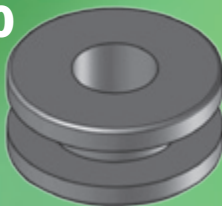
1054L



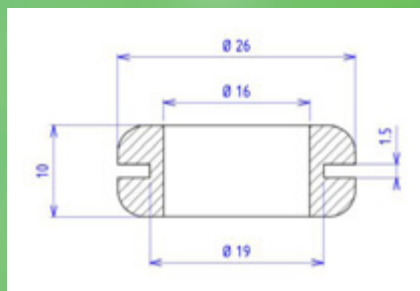
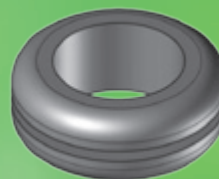
1055L



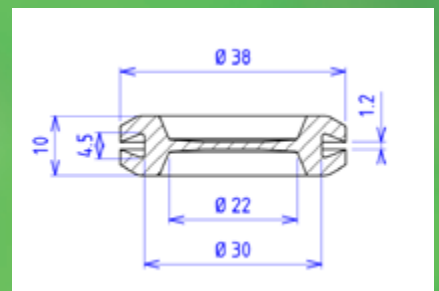
30314000



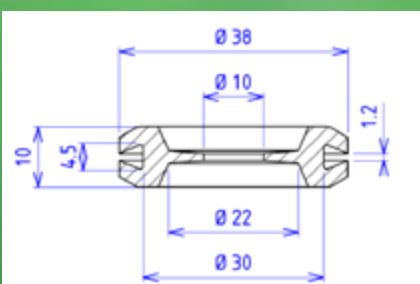
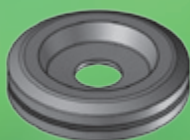
5010



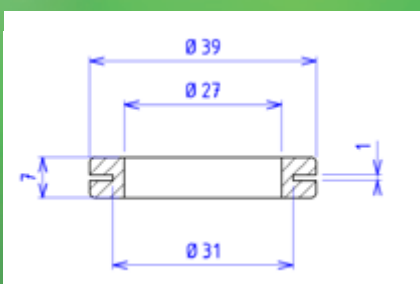
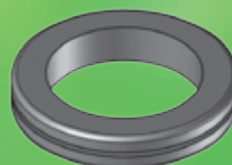
30176200



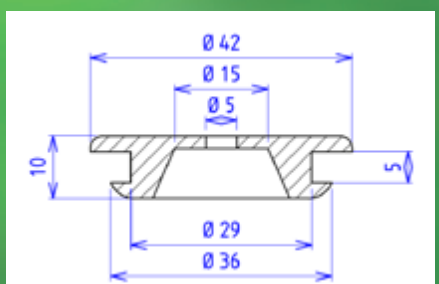
30145900



1061L



334130-56

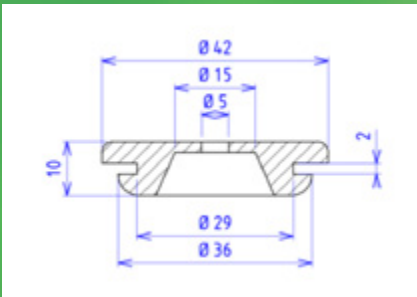




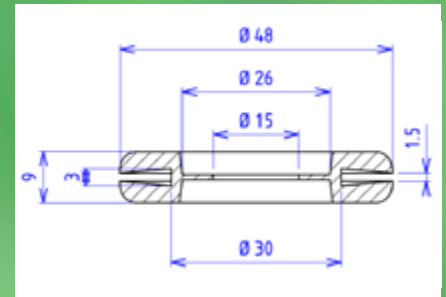
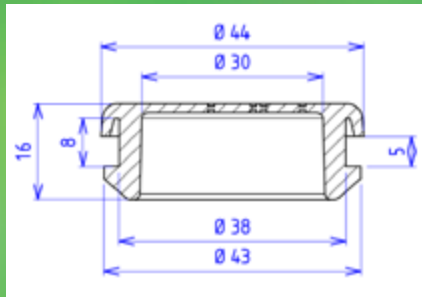
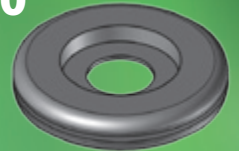
NORMAL GROMMETS

Halogen free material TPE-SEBS, TPE-SEBS V0. Operating temperature -40C+100C.

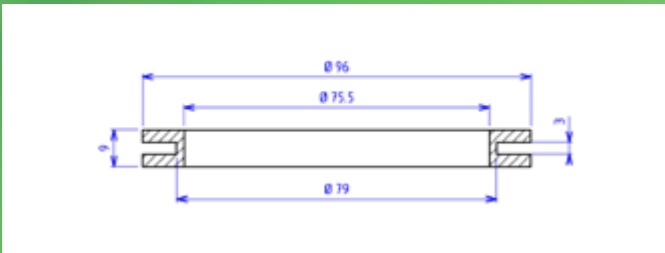
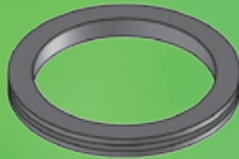
5100



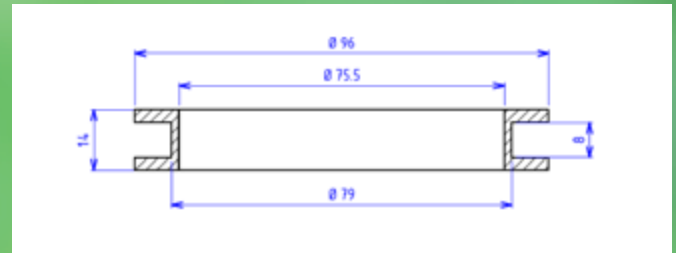
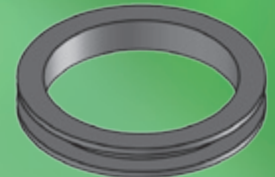
30234000



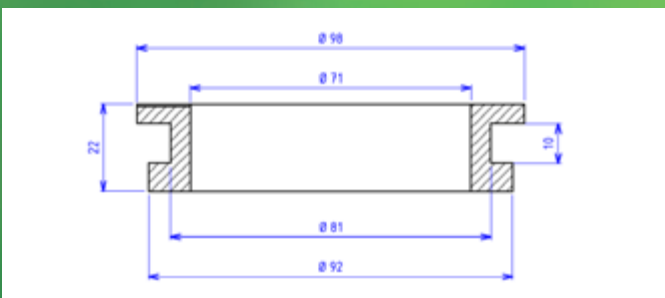
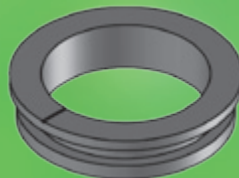
5472-4



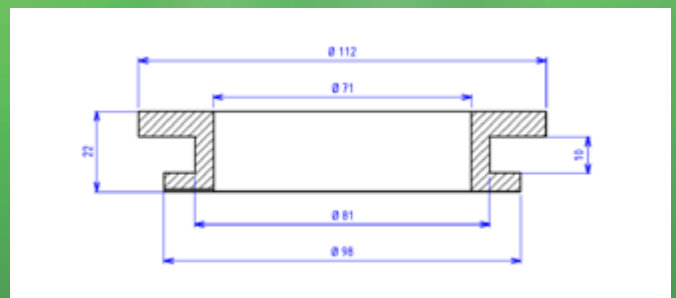
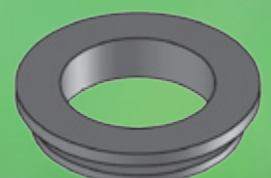
5472-42



D92

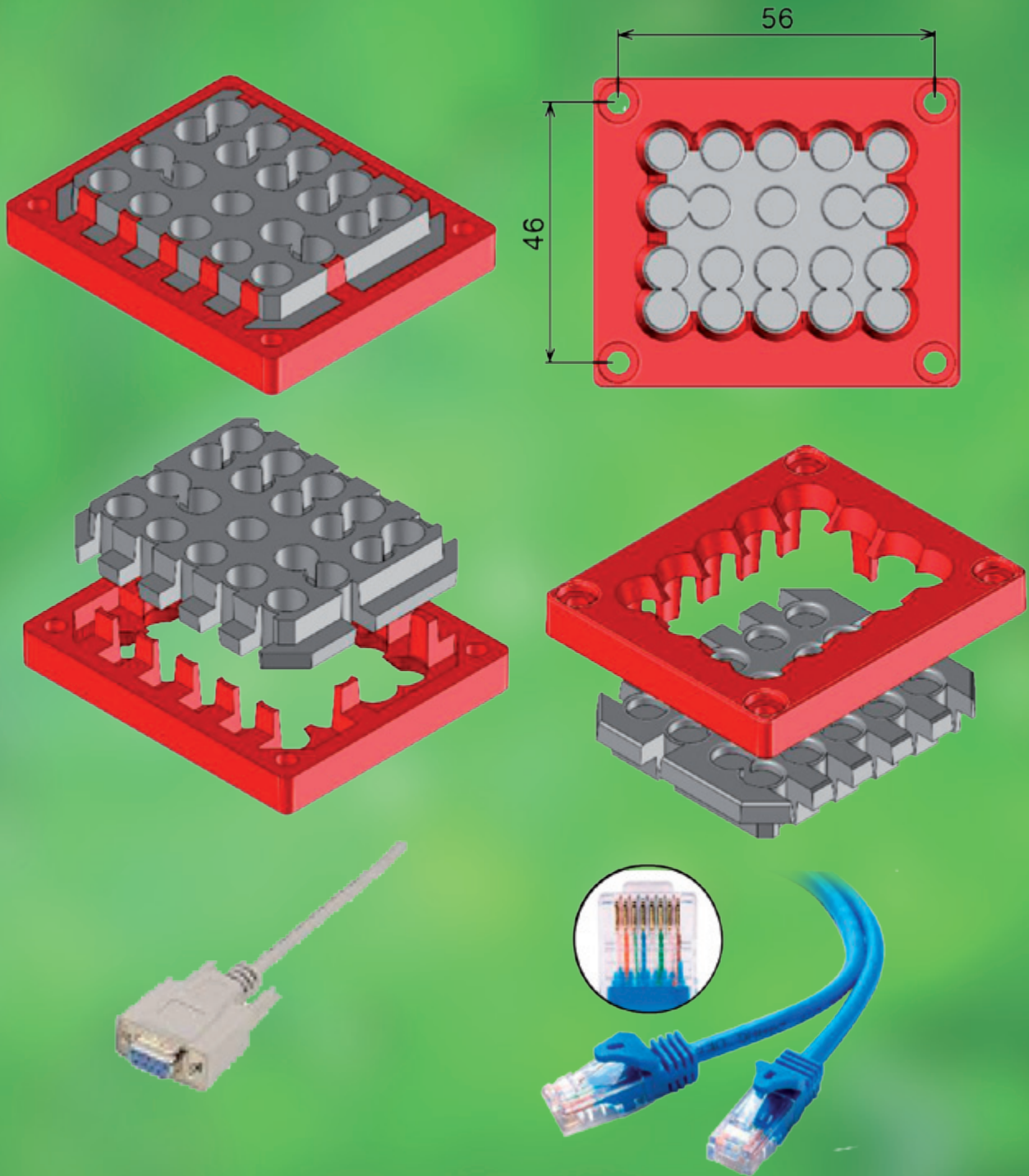


D112



ETS-13 *For wires with connectors in the end*

Fixing holes 4mm, hole interval 46mm x 56mm, mounting hole 40mm x 50mm. IP-class 34, top part hard PC and sealing part soft TPE-SEBS, halogen free material, operating temperature -40 +100 C, country of manufacture FINLAND, FI, CE-marked.





FLANGE SEALING B, C, D, E

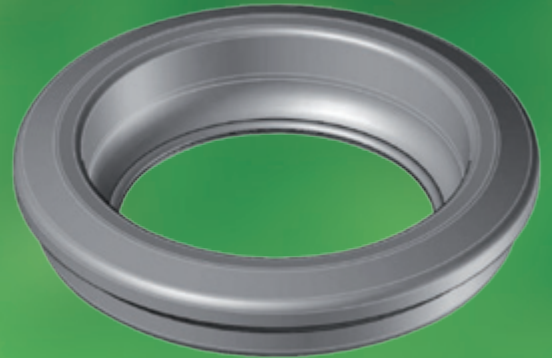
Material PE-foam 3 mm,
the other side adhesive,
or EPDM-foam 5 mm,
on the otherside of the
adhesive surface.



CODE	NAME	COLOUR
7004-PE	seal B 3 mm PE	grey
7005-PE	seal C 3 mm PE	grey
7006-PE	seal D 3 mm PE	grey
7007-PE	seal E 3 mm PE	grey
7004	seal B 5 mm EPDM	black
7005	seal C 5 mm EPDM	black
7006	seal D 5 mm EPDM	black
7007	seal E 5 mm EPDM	black

PEH-GROMMETS

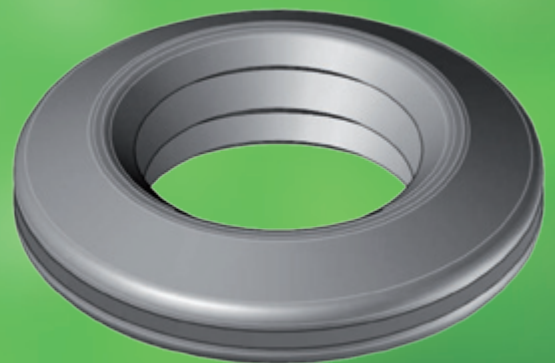
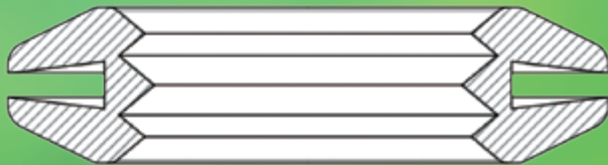
Halogen free material TPE-SEBS, operating temperature -40C +100C, country of Finland, RoHs approved material according to the directive, 100 % recyclable, EN standard: 681-2.



CODE	PIPE DIA	MOUNTING HOLE	MATERIAL THICKNESS
PEH-32	32 mm	48 mm	5 - 10 mm
PEH-40	40 mm	54 mm	5 - 10 mm
PEH-45	45 mm	54 mm	5 - 13 mm
PEH-50	50 mm	64 mm	5 - 13 mm
PEH-63	63 mm	79 mm	5 - 13 mm
PEH-75	75 mm	83 mm	5 - 13 mm
PEH-90-100	90/100 mm	114 mm	5 - 10 mm
PEH-110-CIP	110 mm	122 mm	5 - 12 mm
PEH-110-JT	110/120 mm	138 mm	5 - 12 mm
PEH-160-JT	150/160 mm	168 mm	5 - 12 mm

PEH-3 GROMMETS

Halogen free material TPE-SEBS, operating temperature -40C +100C, country of Finland, RoHs approved material according to the directive, 100 % recyclable, EN standard : 681-2.

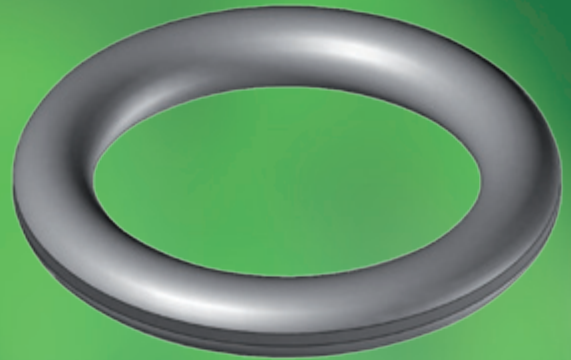


CODE	PIPE DIA	MOUNTING HOLE	MATERIAL THICKNESS
PEH 3-75	75 mm	86 mm	5 - 10 mm
PEH 3-110	110 mm	122 mm	5 - 12 mm
PEH 3-160	160 mm	168 mm	5 - 12 mm



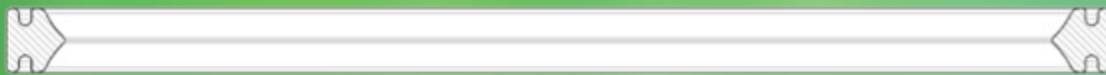
RETROFITTING SEAL

Halogen free material TPE-SEBS, operating temperature -40C +100C, country of Finland, RoHs approved material according to the directive, 100 % recyclable, EN standard: 681-2.



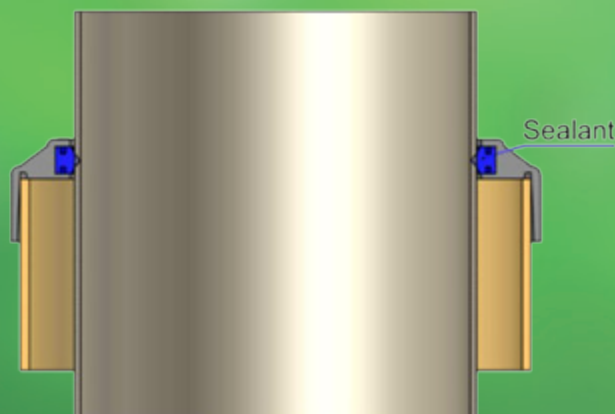
CODE	PIPE DIA	MOUNTING HOLE	MATERIAL THICKNESS
110512	110 mm	114 - 116 mm	5 - 12 mm
1102030	110 mm	122 mm	20 - 30 mm
160512	160 mm	168 mm	5 - 12 mm
1602030	160 mm	168 mm	20 - 30 mm

TELESCOPIC WELL SEAL

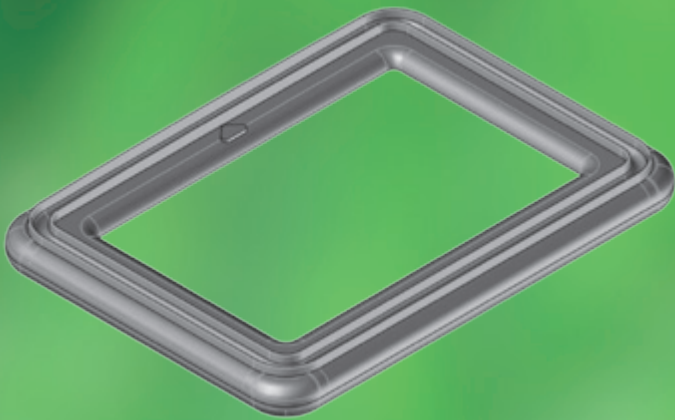


Halogen free material TPE-SEBS, operating temperature -40C +100C, country of Finland, RoHs approved material according to the directive, 100 % recyclable, EN standard: 681-2.

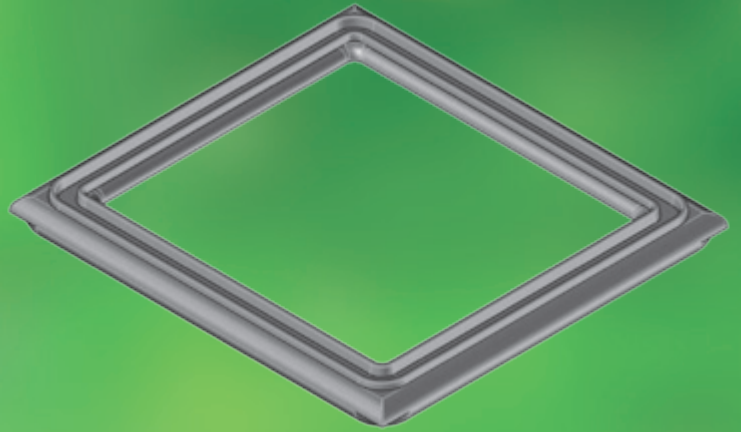
CODE	SIZE
400 - 315	400 / 315 mm
560 - 500	560 / 500 mm



AIR CONDITIONER FAN MOTOR SOUND INSULATION AND VIBRATION DAMPERS

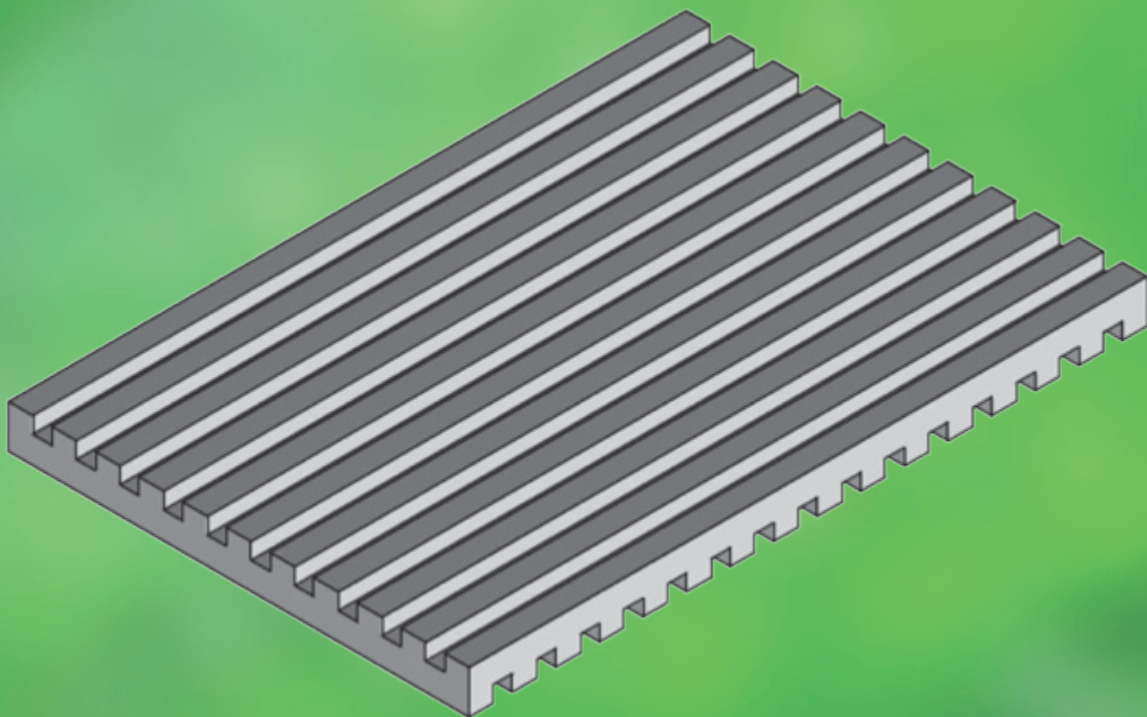


Fan motor sound insulation
115 mm x 83 mm (Ziehl-Abeg)



Fan motor sound insulation
130 mm x 120 mm (EBM)

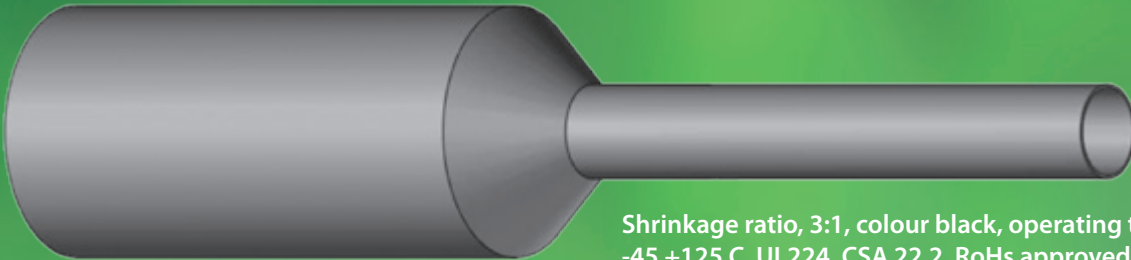
VIBRATION DAMPING MATS



CODE	HARDNESS	SIZE	THICKNESS	MATERIAL
HLF-0837	70 ShA	500 x 500 mm	8,00	NR
HLF-0835	50 ShA	500 x 500 mm	8,00	NR
1050	50 ShA	165 x 100 mm	8,00	TPE-SEBS



ADHESIVE HEAT SHRINK TUBING



Shrinkage ratio, 3:1, colour black, operating temperature -45 +125 C, UL224, CSA 22.2, RoHs approved material, max voltage 600V.

CODE	DIA MAX/MIN MM	LENGHT M
SBRS-24	2,4 - 0,80 mm	1,22 m
SBRS-32	3,2 - 1,00	1,22
SBRS-48	4,8 - 1,60	1,22
SBRS-64	6,4 - 2,20	1,22
SBRS-95	9,5 - 3,20	1,22
SBRS-127	12,7 - 4,20	1,22
SBRS-150	15,0 - 5,20	1,22
SBRS-191	19,1 - 6,30	1,22
SBRS-254	25,4 - 8,50	1,22

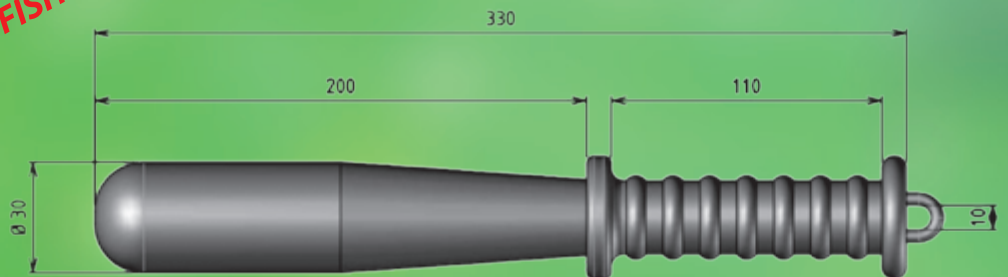
FISH WHACKER

for stunning the fish

ONLY FOR FISHING!

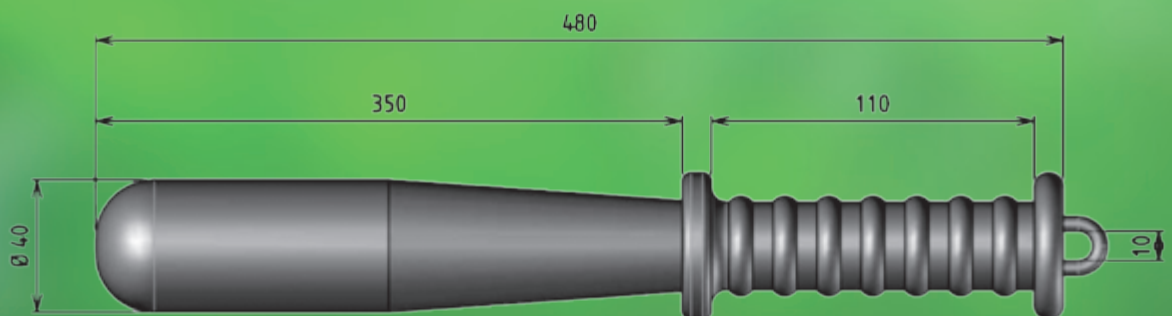
200 mm

Less than 1,5 kg fish,
for stunning.
Colour black or pink.



350 mm

Over 1,5 kg fish,
for stunning.
Colour black or pink.





MUDFLAP / RALLY FLAP

Flaps are made of weather-resistant TPE-SEBS raw material.
Colors black, red, blue, green and yellow.
Height 500 mm, width 300 mm, thickness 4 mm.

ORDER CODE	LAST LETTER COLOR CODE
RL-M	M = black
RL-P	P = red
RL-S	S = blue
RL-V	V = green
RL-K	K = yellow



HT HiTech



PIPE SEAL GROMMETS FOR FRESH WATER AND SALT WATER



HT Hi Tech Polymers • Hallitie 1, FI-32740 Sastamala, Finland • VAT Number FI06768280

Orders: office@hitech-polymers.fi

aulis.kulmala@hitech-polymers.fi • Tel. +358(0)3 8828 600

HT HiTech
Polymers OY



TPE-PRODUCTS



HT Hi Tech Polymers • Hallitie 1, FI-32740 Sastamala, Finland • VAT Number FI06768280

Orders: office@hitech-polymers.fi

aulis.kulmala@hitech-polymers.fi • Tel. +358(0)3 8828 600



HT HI TECH POLYMERS OY

CONTACTS



HT Hi Tech Polymers Oy

Hallitie 1
32740 Sastamala
FINLAND

Phone: +358 (0)3 882 8600
e-mail: office@hitech-polymers.fi
www.hitech-polymers.fi

VAT number: FI 0676828-0

Chairman of the Board

Aulis Kulmala
phone: +358 (0)45 132 2026
aulis.kulmala@hitech-polymers.fi

Managing Director

Mervi Kulmala
phone: +358 (0)40 156 4019
mervi.kulmala@hitech-polymers.fi

International sales

Larissa Miettinen
phone: +358 (0)50 348 1339
larissa.miettinen@hitech-polymers.fi

Production

Timo Kulmala
phone: +358 (0)50 542 9918
timo.kulmala@hitech-polymers.fi

Purchaser strategic / operational

Esa Miettinen
phone: +358 (0)40 561 5521
esa.miettinen@hitech-polymers.fi

Office Manager

Mari Luoti
phone: +358 (0)50 443 3107
office@hitech-polymers.fi

Logistics

Katariina Kulmala
phone: +358 (0)50 566 4254
varasto@hitech-polymers.fi