

Pluggable Multi-Pole SPD SLP20-XXX/4(S)

Class I • Class III • Type 2 • Type 3



Location of Use: Sub-Distribution Boards
 Network Systems: TN-S
 Mode of Protection: L-PE, N-PE
 Surge Ratings: $I_n = 10 \text{ kA}$ (8/20 μs)
 IEC/EN/UL Category: Class II+III / Type 2+3
 Protective Elements: High Energy MOV
 Housing: Pluggable Design
 Compliance: IEC 61643-11:2011
 EN 61643-11:2012

Technical Data

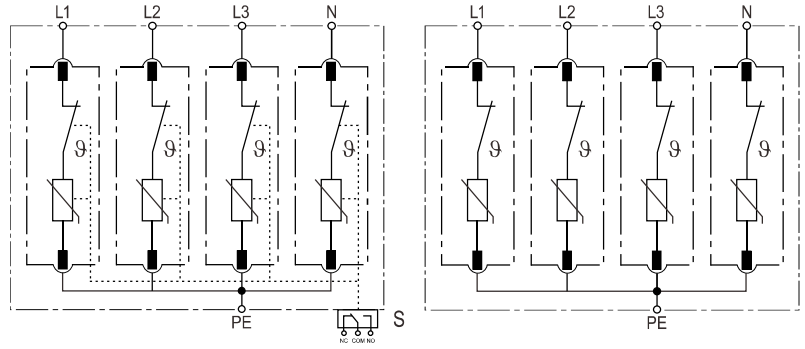
SLP20-XXX/4(S)	150	275	320	385	440	
IEC Electrical						
Nominal AC Voltage (50/60Hz)	U_o/U_n	120 V	230 V	230 V	230 V	400 V
Maximum Continuous Operating Voltage (AC)	U_c	150 V	275 V	320 V	385 V	440 V
Nominal Discharge Current (8/20 μs)	I_n	10 kA	10 kA	10 kA	10 kA	10 kA
Maximum Discharge Current (8/20 μs)	I_{max}	20 kA	20 kA	20 kA	20 kA	20 kA
Open circuit voltage (1.2/50 μs)	U_{oc}			20 kV		
Voltage Protection Level	U_p	600 V	1200 V	1400 V	1600 V	1800 V
Response Time	t_A			< 25 ns		
Back-Up Fuse (max)				125 A gL / gG		
Short-Circuit Current Rating (AC)	I_{SCCR}			10 kA		
TOV Withstand 5s	U_T	180V	335V	335V	335V	580V
TOV 120min	U_T	230V	440V	440V	440V	765V
	mode	Withstand	Safe Fail	Safe Fail	Safe Fail	Safe Fail
Number of Ports				1		
Mechanical & Environmental						
Operating Temperature Range	T_a	-40 °F to +158 °F [-40 °C to +70 °C]				
Permissible Operating Humidity	RH	5%...95%				
Atmospheric pressure and altitude		80k Pa ... 106k Pa / -500 m ... 2000 m				
Terminal Screw Torque	M_{max}	39.9 lbf-in [4,5 Nm]				
Conductor Cross Section (max)		2 AWG (Solid, Stranded) / 4 AWG (Flexible) 35 mm ² (Solid, Stranded) / 25 mm ² (Flexible)				
Mounting		35 mm DIN Rail, EN 60715				
Degree of Protection		IP 20 (built-in)				
Housing Material		Thermoplastic: Extinguishing Degree UL 94 V-0				
Thermal Protection		Yes				
Operating State / Fault Indication		Green ok / Red defect				
Remote Contacts (RC)		Optional				
RC Switching Capacity		AC: 250V/0.5A; DC: 250V/0.1A; 125V/0.2A; 75V/0.5A				
RC Conductor Cross Section (max)		16 AWG (Solid) / 1.5 mm ² (Solid)				
Order Information						
Order Code		150	275	320	385	440
SLP20-XXX/4		2015041	2027541	2032041	2038541	2044041
SLP20-XXX/4S (with remote contacts)		2015042	2027542	2032042	2038542	2044042
SLP20-XXX/0 (spare modules)		2015001	2027501	2032001	2038501	2044001

SLP20-XXX/4(S)

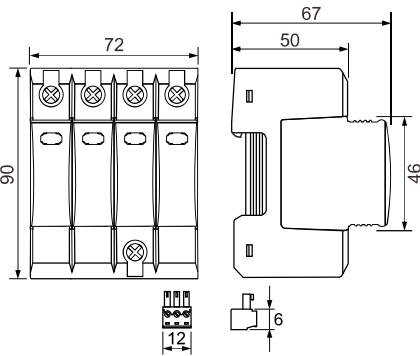
Internal Configuration

Legend

- L Line
- N Neutral
- PE Protective Earth
- S Signalling Contacts Optional



Dimensions & Packaging

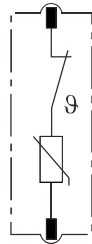


Dimensions & Packaging

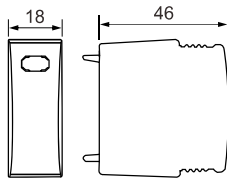
SLP20-XXX/4(S)	150	275	320	385	440
Single Unit DIN 43880 Dimension	1 CTN				
Packaging Dimensions (HxWxL)	[270 × 230 × 330 mm]				
Minimum Order Quantity	24 Units				

Plug Internal Configuration

SLP20-XXX/0



Dimensions & Packaging



Dimensions & Packaging

SLP20-XXX/0	150	275	320	385	440
Single Unit DIN 43880 Dimension	1 CTN				
Packaging Dimensions (HxWxL)	[270 × 230 × 330 mm]				
Minimum Order Quantity	96 Units				

Connection Diagram

TN-S (Three-phase, 4+0)

