

# Pluggable Multi-Pole SPD FLP7-XXX/4(S)

Class I • Class II • Type 1 • Type 2



Location of Use: Main Distribution Boards  
 Network Systems: TN-S  
 Mode of Protection: L-PE, N-PE,  
 Surge Ratings:  $I_{imp} =$  up to 7 kA (10/350  $\mu$ s)  
 $I_n =$  up to 20 kA (8/20  $\mu$ s)  
 IEC/EN Category: Class I+II / Type 1+2  
 Protective Elements: High Energy MOV  
 Housing: Pluggable Design  
 Compliance: IEC 61643-11:2011  
 EN 61643-11:2012

## Technical Data

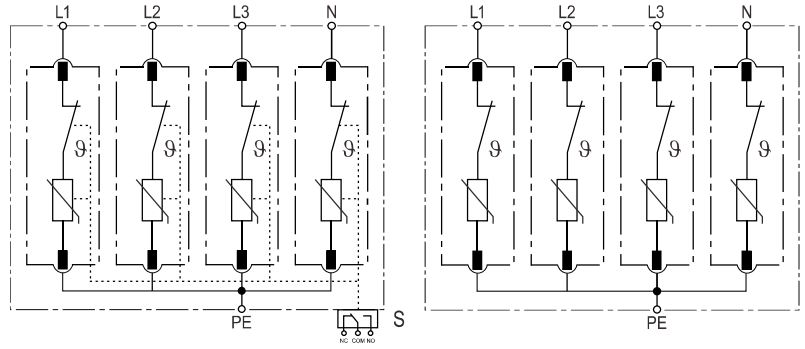
FLP7-XXX/4(S)		150	275	320	385	440
<b>IEC Electrical</b>						
Nominal AC Voltage (50/60Hz)	$U_o/U_n$	120 V	230 V	230 V	230 V	400 V
Maximum Continuous Operating Voltage (AC)	$U_c$	150 V	275 V	320 V	385 V	440 V
Nominal Discharge Current (8/20 $\mu$ s)	$I_n$	20 kA	20 kA	20 kA	20 kA	20 kA
Maximum Discharge Current (8/20 $\mu$ s)	$I_{max}$	50 kA	50 kA	50 kA	50 kA	50 kA
Impulse Discharge Current (10/350 $\mu$ s)	$I_{imp}$	7 kA	7 kA	7 kA	7 kA	7 kA
Specific Energy	W/R	12 kJ/ $\Omega$	12 kJ/ $\Omega$	12 kJ/ $\Omega$	10 kJ/ $\Omega$	10 kJ/ $\Omega$
Charge	Q	3,5 As	3,5 As	3,5 As	2,5 As	2,5 As
Voltage Protection Level	$U_p$	1000 V	1500 V	1600 V	1800 V	2000 V
Response Time	$t_A$			< 25 ns		
Back-Up Fuse (max)				160 A gL / gG		
Short-Circuit Current Rating (AC)	$I_{SCCR}$			25 kA / 50 kA		
TOV Withstand 5s	$U_T$	180V	335V	335V	335V	580V
TOV 120min	$U_T$	230V	440V	440V	440V	765V
	mode	Safe Fail	Safe Fail	Safe Fail	Safe Fail	Safe Fail
Number of Ports				1		
<b>Mechanical &amp; Environmental</b>						
Operating Temperature Range	$T_a$	-40 °F to +158 °F [-40 °C to +70 °C]				
Permissible Operating Humidity	RH	5%...95%				
Atmospheric pressure and altitude		80k Pa ... 106k Pa / -500 m ... 2000 m				
Terminal Screw Torque	$M_{max}$	39,9 lbf-in [4,5 Nm]				
Conductor Cross Section (max)		2 AWG (Solid, Stranded) / 4 AWG (Flexible) 35 mm <sup>2</sup> (Solid, Stranded) / 25 mm <sup>2</sup> (Flexible)				
Mounting		35 mm DIN Rail, EN 60715				
Degree of Protection		IP 20 (built-in)				
Housing Material		Thermoplastic: Extinguishing Degree UL 94 V-0				
Thermal Protection		Yes				
Operating State / Fault Indication		Green ok / Red defect				
Remote Contacts (RC)		Optional				
RC Switching Capacity		AC: 250V/0,5 A; DC: 250V/0,1 A; 125V/0,2 A; 75V/0,5 A				
RC Conductor Cross Section (max)		16 AWG (Solid) / 1,5 mm <sup>2</sup> (Solid)				
<b>Order Information</b>						
Order Code		150	275	320	385	440
FLP7-XXX/4		0715041	0727541	0732041	0738541	0744041
FLP7-XXX/4S (with remote contacts)		0715042	0727542	0732042	0738542	0744042
FLP7-XXX/0 (spare modules)		0715001	0727501	0732001	0738501	0744001

# FLP7-XXX/4(S)

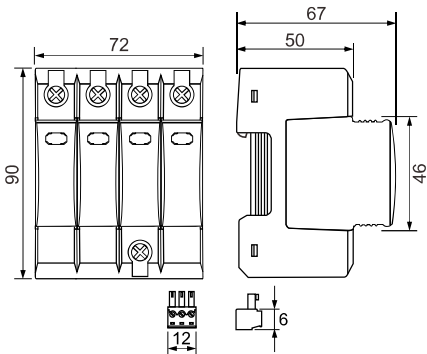
## Internal Configuration

### Legend

- L Line
- N Neutral
- PE Protective Earth
- S Signalling Contacts Optional



## Dimensions & Packaging

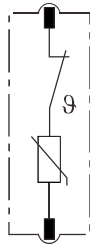


### Dimensions & Packaging

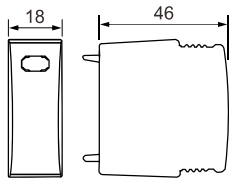
FLP7-XXX/4(S)	150	275	320	385	440
Single Unit DIN 43880 Dimension	1 CTN				
Packaging Dimensions (HxWxL)	[270 × 230 × 330 mm]				
Minimum Order Quantity	24 Units				

## Plug Internal Configuration

### FLP7-XXX/0



## Dimensions & Packaging



### Dimensions & Packaging

FLP7-XXX/0	150	275	320	385	440
Single Unit DIN 43880 Dimension	1 CTN				
Packaging Dimensions (HxWxL)	[270 × 230 × 330 mm]				
Minimum Order Quantity	96 Units				

## Connection Diagram

### TN-S (Three-phase, 4+0)

